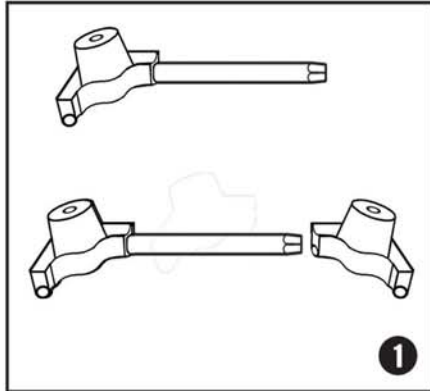


PLEASE READ INSTRUCTIONS BEFORE ASSEMBLING

COT EASY ASSEMBLY INSTRUCTIONS

Kit Includes:

- 2 Long Poles
- 2 Short Poles
- 4 Corner Pieces
- 1 Mesh Fabric Panel with **locking** closure



STEP 1

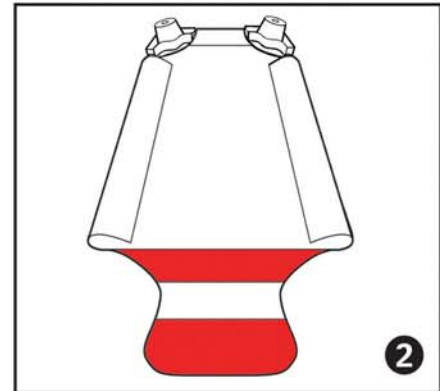
Prepare the ends of the cot using the 2 Short Poles, and 3 of the Corner Pieces. First, insert 1 Short Pole into 1 Corner Piece as shown at the top of Figure 1. Next, insert the remaining Short Pole into the Corner Pieces as shown at the bottom of Figure 1.

NOTE: To ensure the correct fit, please make sure the poles do not spin inside the hole.

STEP 2

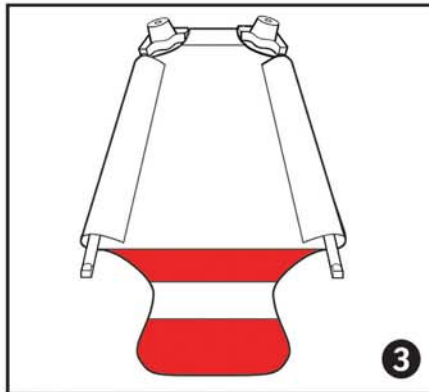
Lay the Mesh Fabric on a flat surface with the seams facing upward. Make sure the “flap” end of the panel is open and flat. Beginning with the seamed end, slide the Short Pole with one corner through the loop at the end of the fabric. Attach the remaining Corner to the end of the Short Pole (Figure 2).

NOTE: Make sure that the legs on the cot corners are facing upward.



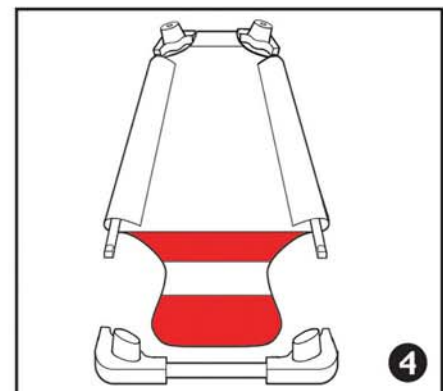
STEP 3

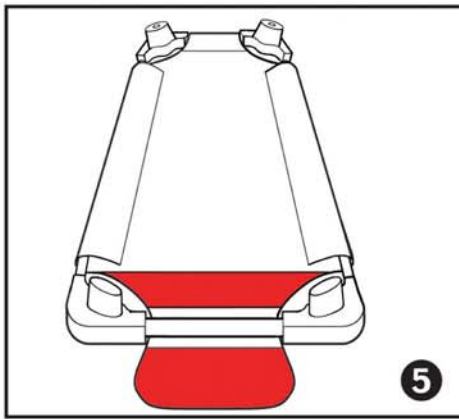
Slide the 2 Long Poles through the pockets on the sides of the Fabric, then insert them into the 2 Corners already in place, as shown in Figure 3.



STEP 4

Take the other Short Pole with the 2 attached Corners in place and position them so the Long Poles fit securely into the holes in the Corners. Make sure all of the Corners are aligned and facing the same direction, as shown in Figure 4.





STEP 5

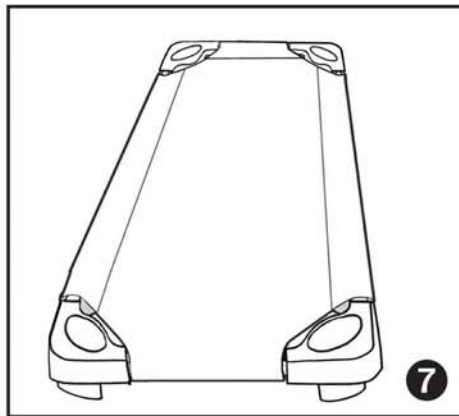
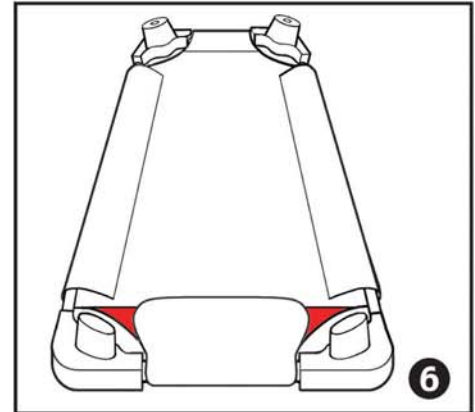
To insure that the Mesh Fabric is as tight as possible, stand the cot on the seamed end, with the open “flap” facing toward you.

STEP 6

Pull the “flap” tightly over the top Short Pole, and secure it to the underside of the cot as shown in Figure 5.

IMPORTANT!

The **locking** flap must be carefully positioned BEFORE attaching, as it is NOT easily re-opened. Be sure fabric is pulled tightly up the cot and is not wrinkled. Press firmly to attach.



STEP 7

Your cot is now assembled. Simply flip it over and it is ready for use.

TO CLEAN:

Wipe with a mild soap and water solution. Rinse thoroughly, then air dry. Do not put in clothes washer or dryer.

**Early Childhood
RESOURCES**

Mount Laurel, NJ 08054 USA
www.ecr4kids.com

Kiddie Kot

Model #:
ELR-021,
ELR-0232



WARNING:

- Adult Supervision Required at all times.
- Adult Assembly Required
- **Maximum Weight Limit: 50 LB.**
- Inspect cot regularly and ensure that fabric is secure. Do not use cot if fabric is loose or if flap is open.
- Do not stand, kneel or jump on unit.
- Use only on a firm, flat surface with all legs directly touching the floor.
- Product intended for use by children within accordance of all applicable U.S. laws and regulations.
- Damage and/or serious injury may occur as a result of misuse.
- Do not place unit near high heat or moisture.
- Never leave children unattended.



“Early Childhood Resources® guarantees the quality of all of our products. You can trust the quality and safety of our furniture and materials, along with the peace of mind that our products are made to last. If for any reason, you are not satisfied with the quality and workmanship of our products, we will replace the item or refund the sale.”

Record the Purchase Order Number here. Information is located on a label enclosed, and on the shipping carton. Place label and this sheet in an accessible place.

Model Number: ELR-021 ELR-0232
(Circle One:)

Purchase Order Number: _____

If you experience any difficulties with this product, please email us at customerservice@ecr4kids.com or call toll-free at (888) 227-9028 (Mon. through Fri., 8:00am to 4:00pm Eastern Standard Time)

Please do not return to place of purchase as Early Childhood Resources will replace defective part(s) and/or product.