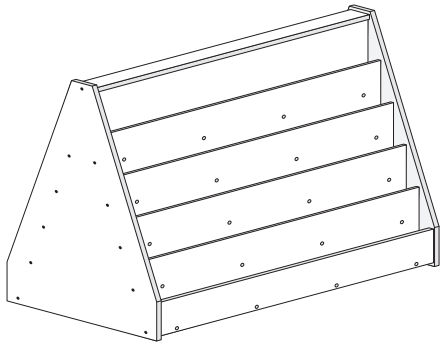


Double-Sided Book Display Model# ELR-0335



⚠ WARNING:

Adult Assembly Required.

Two adults recommended.

- Contains small parts, sharp points and edges.
- Do not stand, sit, kneel, climb, lean or pull on unit for support.
- Never leave children unattended.
- Do not place unit near high heat or moisture.
- Adult supervision recommended.

TOOLS INCLUDED

- ◆ Hex Tool (1)



TOOLS NEEDED

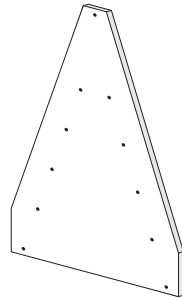
- + Phillips Screwdriver



Parts List

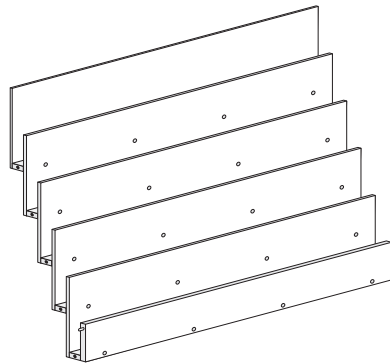
BEFORE ASSEMBLING, MAKE
SURE YOU HAVE ALL THE PARTS

A Side Panels (2)

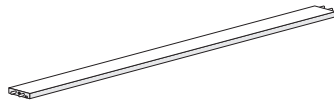


Batch ID Sticker
located on inside

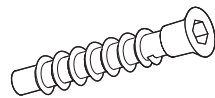
B Shelves (2)



C Upper Crossbar (1)

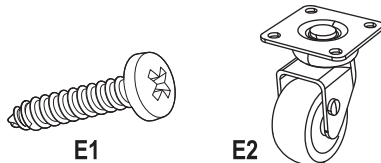


D Hex Screws (22)



Use the Hex Tool

E Phillips Screws & Casters (16/4)



E1

E2

Use a Phillips Screwdriver

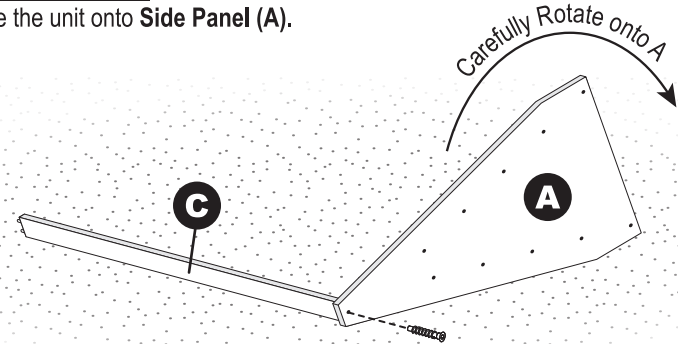
1 Install the Upper Crossbar

Insert the pre-installed wooden dowels on **Upper Crossbar (C)** into the corresponding holes on the inside of a **Side Panel (A)** as shown.

Install the **Upper Crossbar (C)** onto the **Side Panel (A)** with one **Hex Screw (D)** using the Hex Tool.

Two Adults Recommended:

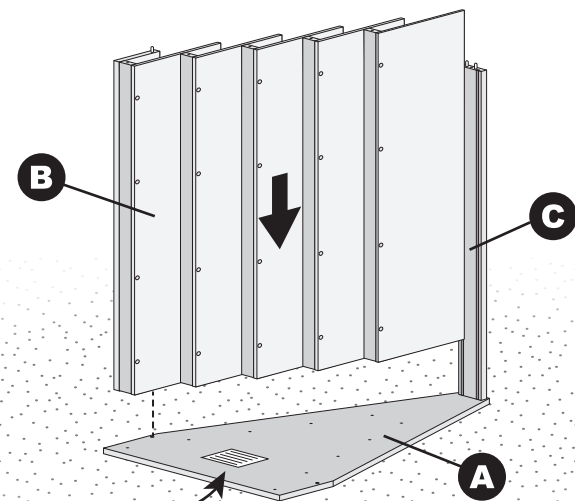
Carefully rotate the unit onto **Side Panel (A)**.



2 Insert the Rear Shelves

Slide the top of **Shelves (B)** into the rear groove on the **Upper Crossbar (C)** as shown, until fully seated against the inside of **Side Panel (A)**.

Insert the pre-installed wooden dowel on **Shelves (B)** into the corresponding hole on the inside of a **Side Panel (A)** as shown.



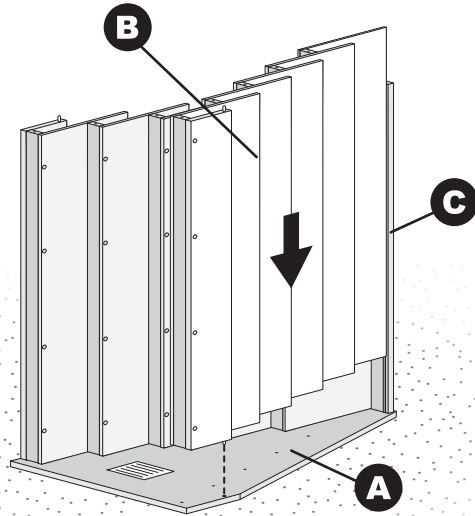
Batch ID Sticker

See Next Page

3 Insert the Front Shelves

Slide the top of the second **Shelves (B)** into the front groove on the **Upper Crossbar (C)** as shown, until fully seated against the inside of **Side Panel (A)**.

Insert the pre-installed wooden dowel on **Shelves (B)** into the corresponding hole on the inside of a **Side Panel (A)** as shown.

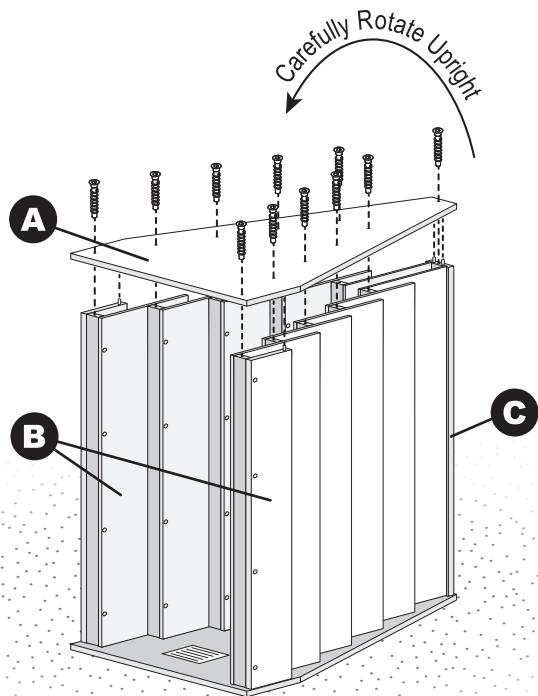


4 Install the Left Side Panel

Insert the pre-installed wooden dowels on both **Shelves (B)** and **Upper Crossbar (C)** into the corresponding holes on the inside of the **Left Side Panel (A)** as shown.

Install the **Left Side Panel (A)** onto the **Shelves (B)** and **Upper Crossbar (C)** with eleven **Hex Screws (D)** using the Hex Tool.

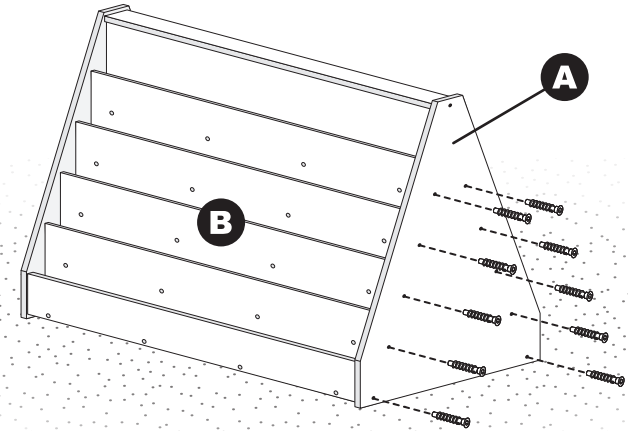
Two Adults Recommended:
Carefully rotate the unit upright.



5 Complete Right Side Panel Installation

Complete the installation of **Right Side Panel (A)** onto the **Shelves (B)** with ten **Hex Screws (D)** using the Hex Tool.

Optional: Install the four **Casters (E2)** into the pre-drilled holes on the underside of both **Shelves (B)** with four **Phillips screws (E1)** per caster, using a **Phillips screwdriver**.



Care and Cleaning

Clean wood with a damp cloth or sponge using warm water and mild soap. Wipe dry.

Do not place near heat, moisture or vaporizer which may cause wood to warp and peel.

Check for loose or worn parts periodically and tighten or replace as necessary.

Early Childhood[®] RESOURCES

We appreciate your purchase of the Double-Sided Book Display. Early Childhood Resources has made every effort to supply a quality product, that with proper use and care, will bring you many years of trouble free use!

If you experience any difficulties with this product, please email us at customerservice@ecr4kids.com or call toll-free at (888) 227-9028 (Monday - Friday, 7:00am - 4:00pm Pacific Standard Time)

Please do not return to place of purchase as Early Childhood Resources will replace defective part(s) and/or product.



"Early Childhood Resources® guarantees the quality of all of our products. You can trust the quality and safety of our furniture and materials, along with the peace of mind that our products are made to last. If for any reason, you are not satisfied with the quality and workmanship of our products, we will replace the item or refund the sale."

**Record the manufacture date here.
Information is located on the Batch ID
sticker and on the shipping carton.
Save this sheet in an accessible place.**

Model Number: ELR-0335

Factory Code: D

Manufacture Date: _____

Batch ID Number: _____
(Located on Part A)