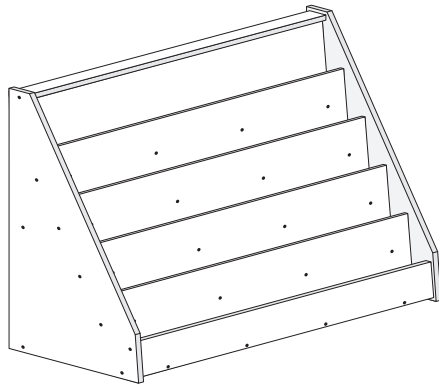


Single-Sided Book Display
Model# ELR-0339



⚠ WARNING:

Adult Assembly Required.

Two adults recommended.

- Contains small parts, sharp points and edges.
- Do not stand, sit, kneel, climb, lean or pull on unit for support.
- Never leave children unattended.
- Do not place unit near high heat or moisture.
- Adult supervision recommended.

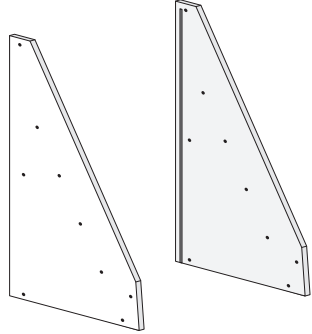
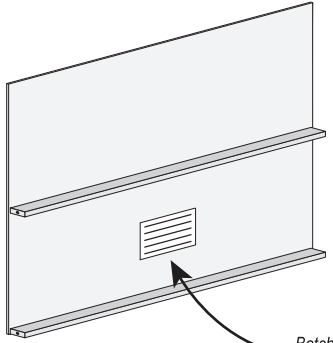
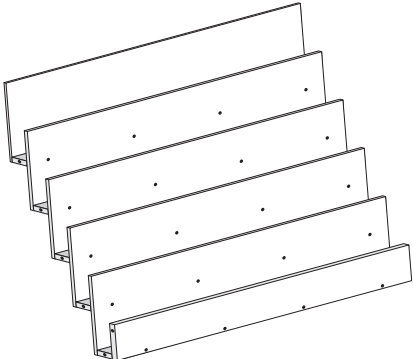
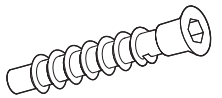
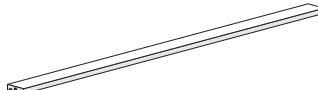
TOOLS INCLUDED

● Hex Tool (1)



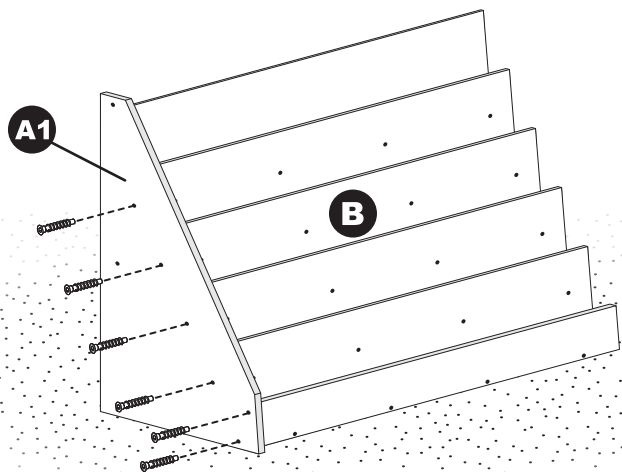
Parts List

BEFORE ASSEMBLING, MAKE SURE YOU HAVE ALL THE PARTS

<p>A Left & Right Side Panels (1/1)</p> 	<p>D Back Panel (1)</p>  <p><i>Batch ID Sticker located on inside</i></p>
<p>B Shelves (1)</p> 	<p>E Hex Screws (18)</p>  <p><i>Use the Hex Tool</i></p>
<p>C Upper Crossbar (1)</p> 	

1 Install the Left Side Panel

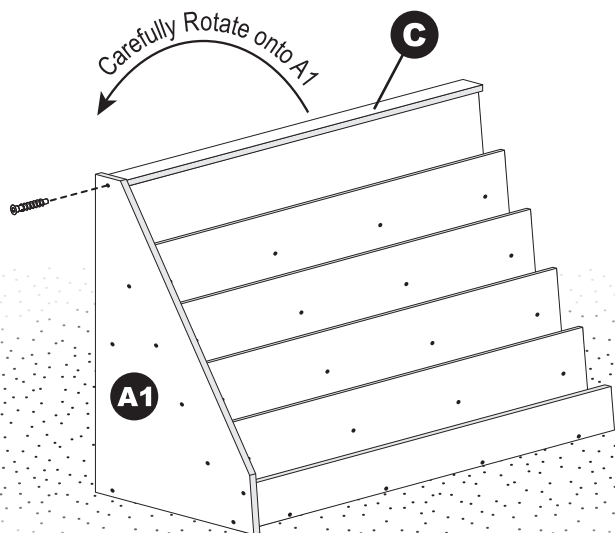
Install the **Shelves (B)** onto the **Left Side Panel (A1)** with six **Hex Screws (E)** using the Hex Tool.



2 Install the Upper Crossbar

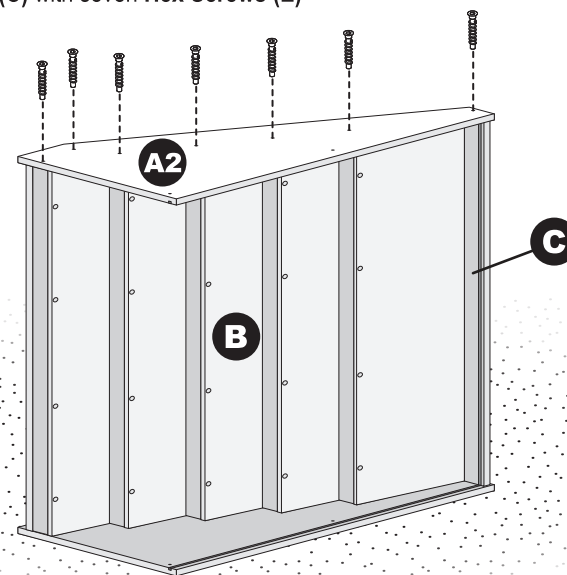
Install the **Upper Crossbar (C)** onto the **Left Side Panel (A1)** as shown, with one **Hex Screw (E)** using the Hex Tool.

Two Adults Recommended: Carefully rotate the unit onto **Left Side Panel (A1)**.



3 Install the Right Side Panel

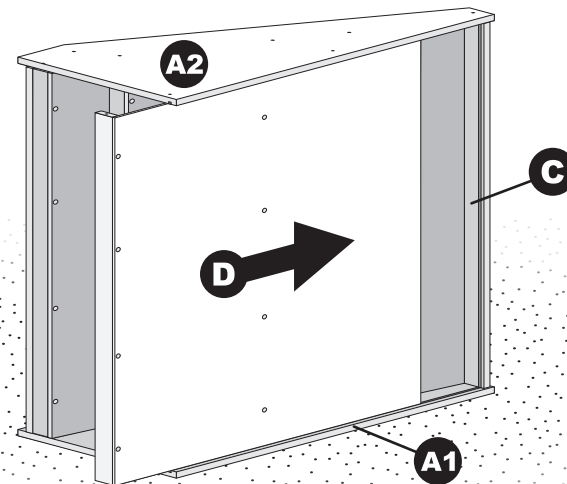
Install the **Right Side Panel (A2)** onto the **Shelves (B)** and **Upper Crossbar (C)** with seven **Hex Screws (E)** using the Hex Tool.



4 Slide the Back Panel into Place

Slide the **Back Panel (D)** into the grooves on the **Left/Right Side Panels (A1/A2)** as shown, until fully seated into the groove on the underside of the **Upper Crossbar (C)**.

Tip: If the **Back Panel (D)** does not slide in easily, wiggle the panel while pushing into place.

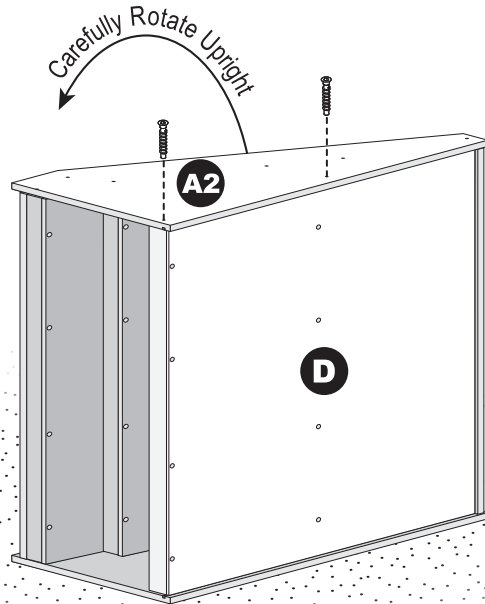


See Next Page

5 Install the Back Panel

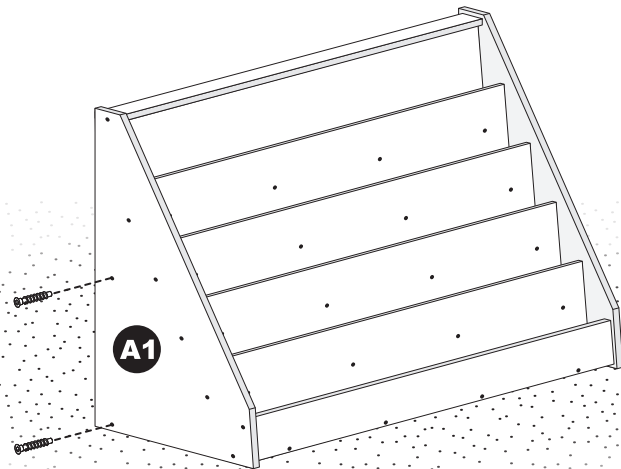
Install the **Back Panel (D)** onto the **Right Side Panel (A2)** with two **Hex Screws (E)** using the Hex Tool.

Two Adults Recommended:
Carefully rotate the unit upright.



6 Complete Back Panel Installation

Complete the installation of the **Back Panel (D)** onto the **Left Side Panel (A1)** with two **Hex Screws (E)** using the Hex Tool.



**ECR
4 KIDS**

We appreciate your purchase of the Single-Sided Book Display. ECR4KIDS® has made every effort to supply a quality product that with proper use and care, will provide many years of trouble-free use.

If you experience any difficulties with this product, please email us at ecrcs@ecr4kids.com or call toll-free at (855) ECR-4KIDS (Monday - Friday, 7:00am - 4:00pm Pacific Standard Time)

Please do not return to place of purchase as ECR4KIDS® will replace defective part(s) and/or product.



ECR4KIDS® guarantees the quality of all our products. You can trust the quality and safety of our furniture and materials, along with the peace of mind that our products are made to last. If for any reason you are not satisfied with the quality or workmanship of our products, we will replace the item or refund the sale.

Care and Cleaning

Clean wood with a damp cloth or sponge using warm water and mild soap. Wipe dry.

Do not place near heat, moisture or vaporizer which may cause wood to warp and peel.

Check for loose or worn parts periodically and tighten or replace as necessary.

Record the manufacture date here. Information is located on the Batch ID sticker and on the shipping carton. Save this sheet in an accessible place.

Model Number: ELR-0339

Factory Code: D

Manufacture Date: _____

Batch ID Number: _____
(Located on Part D)