

3 Piece Comfort Chairs & Table Set

Assembly Instructions
 Model #: ELR-0344

TIP!
 DO NOT FULLY TIGHTEN SCREWS UNTIL ALL SCREWS HAVE BEEN LOOSELY POSITIONED.
 BEFORE ASSEMBLING, MAKE SURE THERE ARE NO MISSING PARTS.

PARTS LIST

- A** Seat Back Rest Tubing(2)
- B** Seat Bottom Tubing(2)
- C** Sling Tubing Cover(2)
- D** Right Side(2)
- E** Left Side(2)
- F** Brace(4)
- G** Threaded Metal Dowel Pins(8)
- H** Table Top(1)
- I** Table Legs(4)
- J** Allen Wrench
- K** 16 Short Bolts
- L** 8 Long Bolts
- M** 8 Extra Long Bolts
- N** Cushion(2)

NOTE:

A Phillips Head and Flat Head Screwdriver will be needed for assembly (not included)



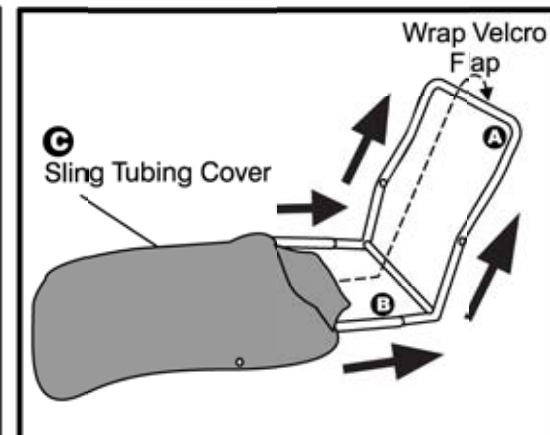
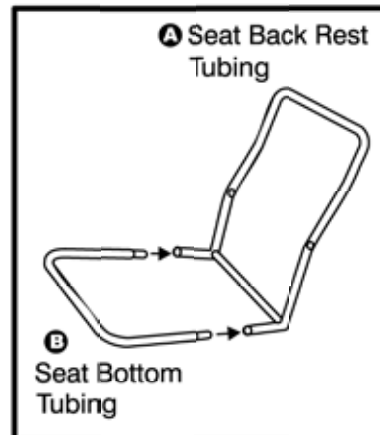
WARNING:

- Adult Assembly Required. Two Adults Recommended.
- Maximum Chair Weight Limit: 75 LB. Exceeding this weight may cause product to collapse, causing serious injury and/or property damage.
- Contains small parts, sharp points and edges.
- Do not stand, kneel, climb, lean or pull on unit for support.
- Do not use table as a stepladder or stool.
- Never leave children unattended.
- Do not place unit near high heat or moisture.
- Adult Supervision Recommended.

If you experience any difficulties with this product, please email us at customerservice@ecr4kids.com or call toll-free (888) 227-9028 (Mon. - Fri., 9:00am to 5:00pm Eastern Standard Time).

Please do not return to place of purchase as Early Childhood Resources will replace defective part(s) and/or product.

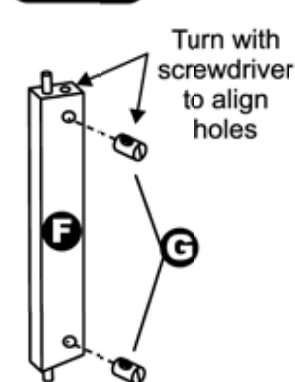
1 Assemble the Tubular Frame



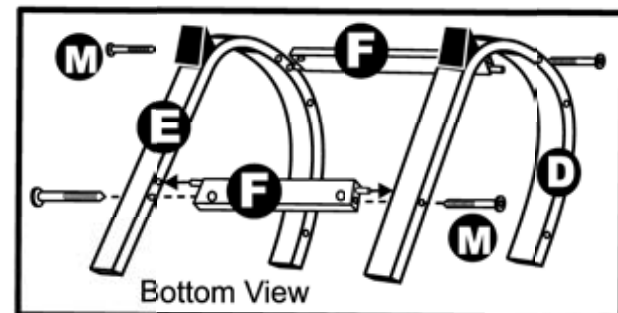
Insert the reduced ends of Seat Bottom Tubing(B) into the holes at the base of the Seat Back Rest Tubing(A) as shown.

Starting at the Seat Bottom end, slide the Sling Tubing Cover(C) over the assembled Tubing(A,B) and carefully pull all the way up to the top as shown. Wrap the Loop-Lock flap around the top tube and fasten to the back of the Cover(C).

2 Attach the Sides and Braces



Insert 4 Threaded Metal Dowel Pins(G) into holes on flat sides of both Spreaders(F). If necessary, use a slotted screwdriver to twist inside hole so that threaded holes align with holes in ends of Spreaders.

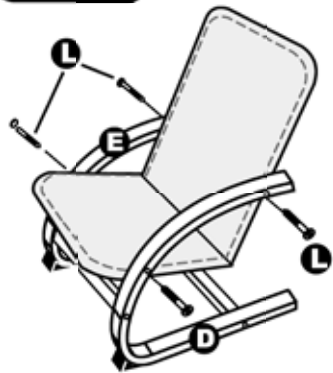


On carpet or a protected surface, attach Left & Right Sides(D,E) to the Braces(F) by inserting the pre-installed wooden dowels in the ends of Braces(F) into holes inside the Side Panels(D,E). Insert Extra Long Bolts(M) through the holes in Side Panels(D,E) and into the aligning holes in the Braces(F) as shown. Tighten with the Allen Wrench(J).

Note: If the Bolts(M) do not tighten easily, realign the holes in the Metal Dowel Pins(G) with a Flat Head Screwdriver.

3

Attaching Tubular Frame to Sides



Attach Tubular Frame Assembly to the top of the Right and Left Sides(D,E) using 4 Long Bolts(L). Tighten with the Allen Wrench(J).

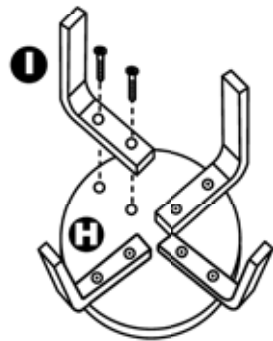
Note: Feel the side of the Tubing(I) for the pre-drilled holes. Drive the Long Bolts(L) through the canvas Sling Tubing Cover(C). You may cut a small slit through the canvas with a sharp knife.



Place Cushion(N) on top of Tubular Frame Assembly with Top Flap over the top of Seat Back Rest Tubing(A)
Repeat Steps for 2nd Chair.

4

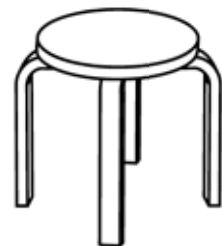
Assembling Table



Place Table Top(H) with holes up on carpet or protective surface. Attach Table Legs(I) Using 8 Short Bolts(K) with Allen Wrench(J).

Place 2 Chairs and Table on a flat, level and stable surface, away from high heat.

Make sure all bolts are fully tightened before using. Periodically check bolts and tighten as necessary. Store the Allen Wrench(J) in the convenient Pouch located under the Table Top.



We appreciate your purchase of the Comfort Seating Set. Early Childhood Resources® has made every effort to supply a quality product, that with proper use and care, will bring you many years of trouble free use!

Care and Cleaning

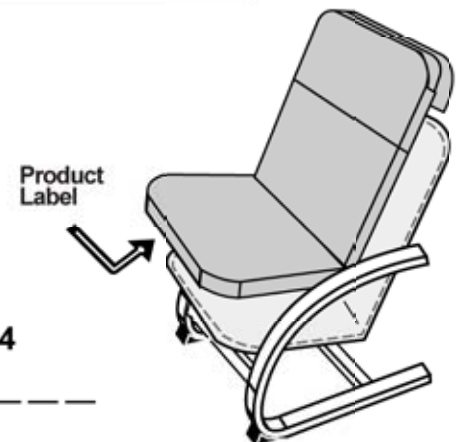
Clean wood with a damp cloth or sponge using warm water and mild soap. Wipe dry. Spot clean cushions with mild soap and water. Do not bleach. Do not clean in a clothes washer.

Do not place near heat, moisture or vaporizer which may cause wood to warp and peel. Check for loose or worn parts periodically and tighten or replace as necessary.



"Early Childhood Resources® guarantees the quality of all of our products. You can trust the quality and safety of our furniture and materials, along with the peace of mind that our products are made to last. If for any reason, you are not satisfied with the quality and workmanship of our products, we will replace the item or refund the sale."

Record the Model Number and Batch ID from your shipping carton on the lines below. This information may also be found on a label enclosed. Place this sheet in an accessible place for future reference.



Model Number: ELR-0344

Batch ID: ECR 20 _____ - _____

Factory Code: _____
(If present)