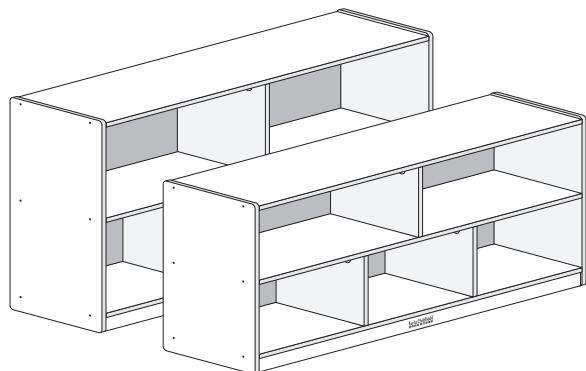


5 Compartment Storage Cabinets Model# ELR-0419, 0420



⚠ WARNING:

Adult Assembly Required.

Two adults recommended.

- Contains small parts, sharp points and edges.
- Do not stand, sit, kneel, climb, lean or pull on unit for support.
- Never leave children unattended.
- Do not place unit near high heat or moisture.
- Adult supervision recommended.

TOOLS INCLUDED

- ◆ Hex Tool (1)



TOOLS NEEDED

- ✚ Phillips Screwdriver

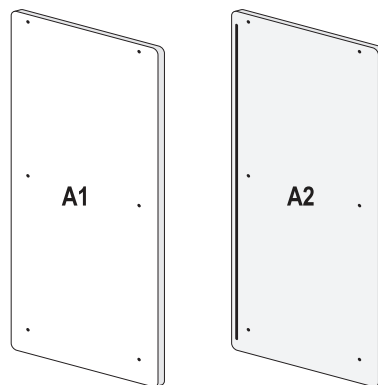


Parts List

BEFORE ASSEMBLING, MAKE SURE YOU HAVE ALL THE PARTS

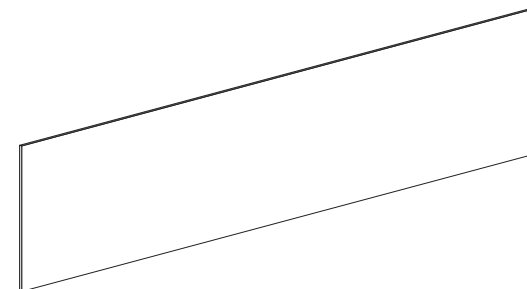
A

Left & Right
Side Panels (1/1)



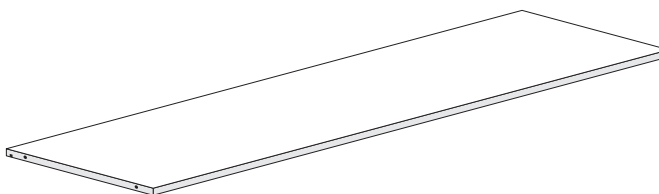
E

Back Panels (2)



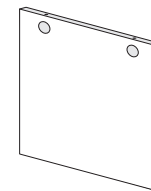
B

Top Panel (1)



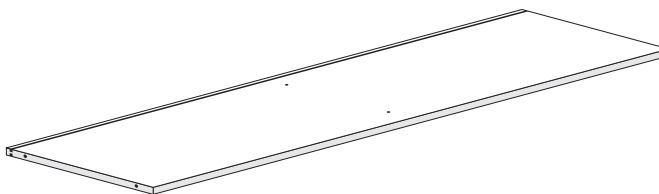
F

Dividers (3)



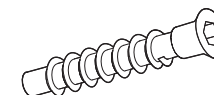
C

Middle Shelf (1)



G

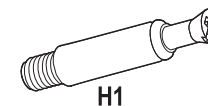
Hex Screws (18)



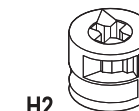
Use the Hex Tool.

H

Cam Posts & Cam Locks (6/6)



H1

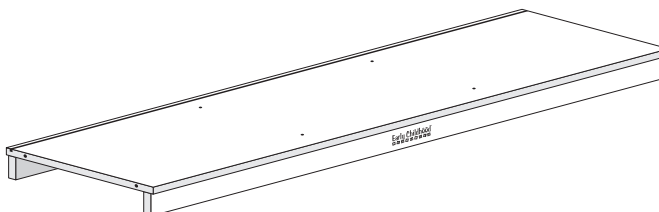


H2

Use a Phillips Screwdriver.

D

Bottom Shelf (1)



I

Phillips Screws & Casters (16/4)



I1



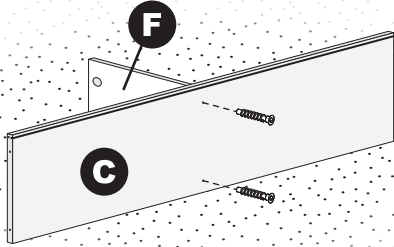
I2

*Batch ID
located underneath.*

Use a Phillips Screwdriver.

1 Install Upper Divider to Middle Shelf

Install one **Divider (F)** on to the **Middle Shelf (C)** with two **Hex Screws (G)** using the Hex Tool.

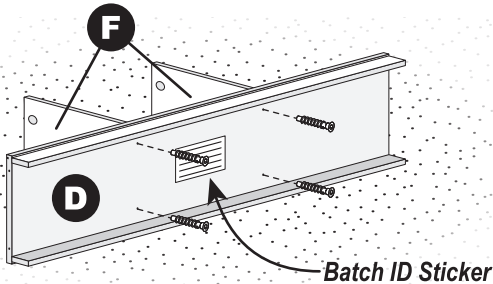


Place two **Cam Locks (H2)** into the recessed holes on each **Divider (F)**, with the arrow facing the closest edge.

Note: The grooves on the **Middle Shelf** are away from the ground.

2 Install Lower Dividers to Bottom Shelf

Install two **Dividers (F)** on to the **Bottom Shelf (D)** with four **Hex Screws (G)** using the Hex Tool.



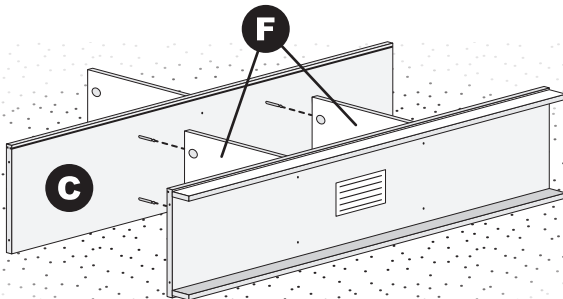
Place two **Cam Locks (H2)** into the recessed holes on each **Divider (F)**, with the arrow facing the closest edge.

Note: The groove on the **Bottom Shelf** is away from the ground.

3 Connect Middle Shelf to Lower Dividers

Install four **Cam Posts (H1)** into the threaded plastic inserts on the underside of **Middle Shelf (C)** with a Phillips screwdriver.

Reminder: Do not overtighten, as the plastic threads can be stripped.



Insert the **Middle Shelf (C)** Cam Posts into the holes on the top edge of the lower **Dividers (F)**. Turn the Cam Locks clockwise with a Phillips screwdriver to lock the lower **Dividers (F)** onto the posts.

See Next Page

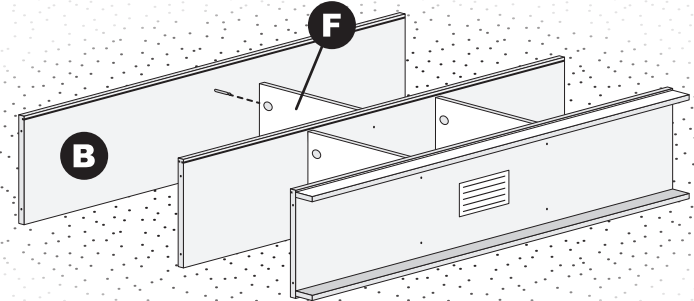
4 Connect Top Panel to Upper Divider

Install two **Cam Posts (H1)** into the threaded plastic inserts on the underside of **Top Panel (B)** with a Phillips screwdriver.

Reminder: Do not overtighten, as the plastic threads can be stripped.

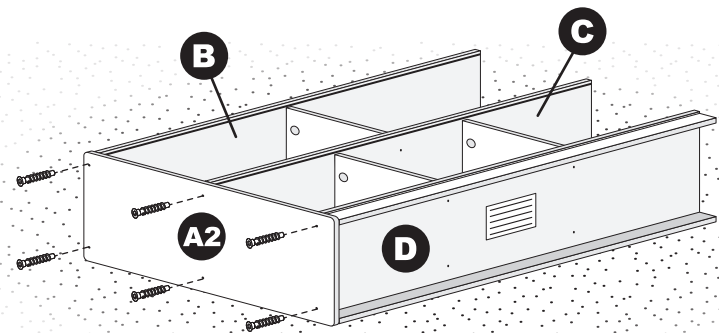
Insert the **Top Panel (B)** Cam Posts into the holes on the top edge of the upper **Divider (F)**. Turn the Cam Locks clockwise with a Phillips screwdriver to lock the upper **Divider (F)** onto the posts.

Note: The groove on the **Top Panel** is away from the ground.



5 Install Right Side Panel

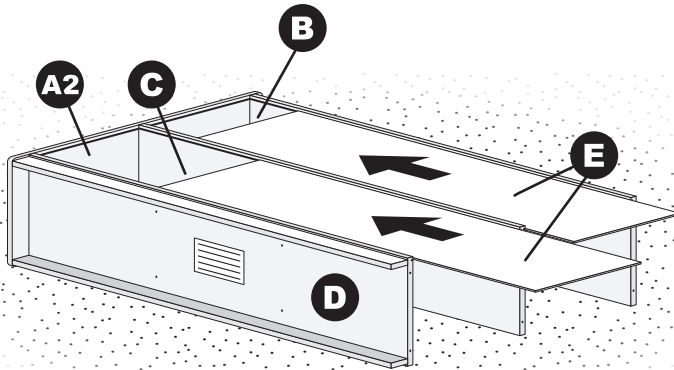
Install the **Right Side Panel (A2)** on to the **Top Panel (B)**, **Middle Shelf (C)** & **Bottom Shelf (D)** with six **Hex Screws (G)** using the Hex Tool.



6 Insert the Back Panels

Slide both **Back Panels (E)** into the grooves on the **Top Panel (B)**, **Middle Shelf (C)** & **Bottom Shelf (D)** as shown, until fully seated into the groove on the inside of the **Right Side Panel (A2)**.

Tip: If the Back Panels do not slide in easily, wiggle the panels while pushing into place.

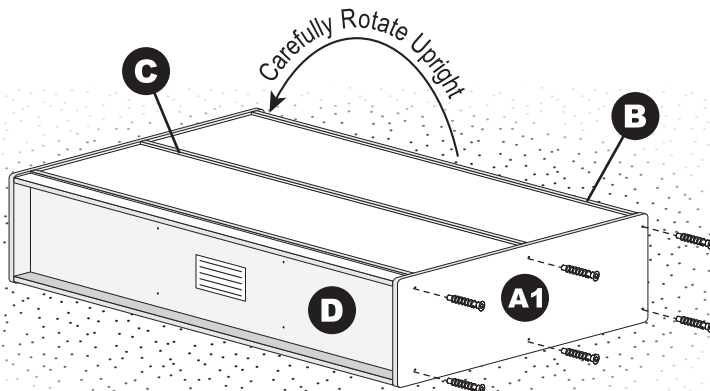


7 Install Left Side Panel

Install the **Left Side Panel (A1)** on to the **Top Panel (B)**, **Middle Shelf (C)** & **Bottom Shelf (D)** with six **Hex Screws (G)** using the Hex Tool.

*Optional: Install the four **Castors (I2)** into the pre-drilled holes on the underside of the **Bottom Shelf**, with four **Phillips screws (I1)** per caster, using a **Phillips screwdriver**.*

Two Adults Recommended: Carefully rotate unit upright.



Early Childhood
RESOURCES

We appreciate your purchase of the 5 Compartment Storage Cabinet. Early Childhood Resources has made every effort to supply a quality product, that with proper use and care, will bring you many years of trouble free use!

If you experience any difficulties with this product, please email us at **customerservice@ecr4kids.com** or call toll-free at (888) 227-9028 (Monday - Friday, 7:00am - 4:00pm Pacific Standard Time)

Please do not return to place of purchase as Early Childhood Resources will replace defective part(s) and/or product.



“Early Childhood Resources® guarantees the quality of all of our products. You can trust the quality and safety of our furniture and materials, along with the peace of mind that our products are made to last. If for any reason, you are not satisfied with the quality and workmanship of our products, we will replace the item or refund the sale.”

Care and Cleaning

Clean wood with a damp cloth or sponge using warm water and mild soap. Wipe dry.

Do not place near heat, moisture or vaporizer which may cause wood to warp and peel.

Check for loose or worn parts periodically and tighten or replace as necessary.

Record the manufacture date here. Information is located on the Batch ID sticker and on the shipping carton. Save this sheet in an accessible place.

Model Number: ELR-0419, ELR-0420 (circle one)

Factory Code: BR

Manufacture Date: _____

Batch ID Number: _____
(Located on Part D)