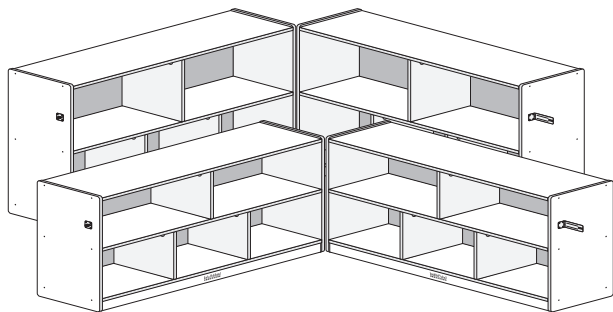


5 Compartment Fold-N-Lock Storage Cabinets Model# ELR-0422, 0423



⚠️ WARNING:

Adult Assembly Required.

Two adults recommended.

- Contains small parts, sharp points and edges.
- Do not stand, sit, kneel, climb, lean or pull on unit for support.
- Never leave children unattended.
- Do not place unit near high heat or moisture.
- Adult supervision recommended.

TOOLS INCLUDED

- Hex Tool (1)



TOOLS NEEDED

- ✚ Phillips Screwdriver

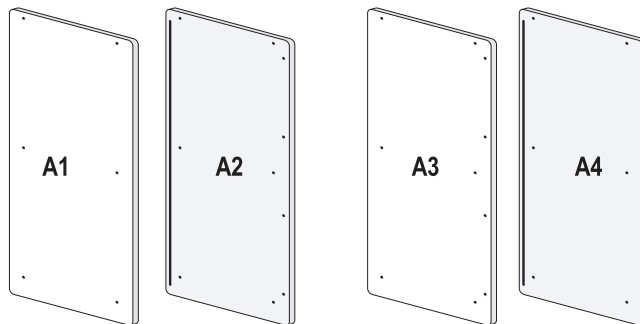


Parts List

BEFORE ASSEMBLING, MAKE SURE YOU HAVE ALL THE PARTS

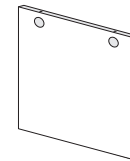
A

Left & Right Side Panels (1/1/1/1)



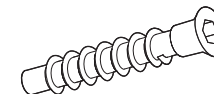
F

Dividers (6)



G

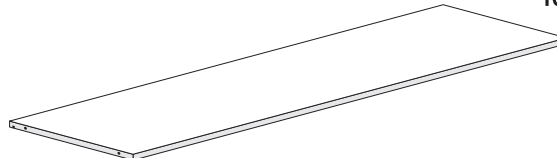
Hex Screws (36)



Use the Hex Tool.

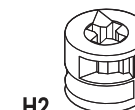
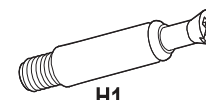
B

Top Panel (2)



H

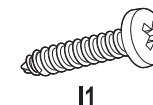
Cam Posts & Cam Locks (12/12)



Use a Phillips Screwdriver.

I

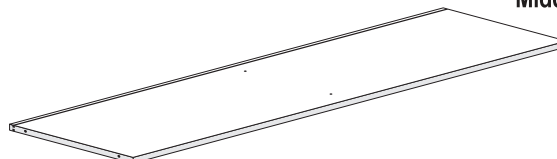
Phillips Screws & Casters (32/8)



Use a Phillips Screwdriver.

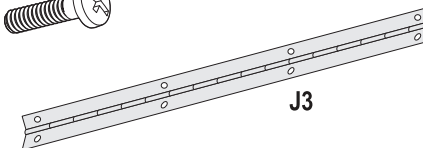
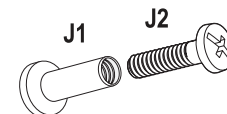
C

Middle Shelf (2)



J

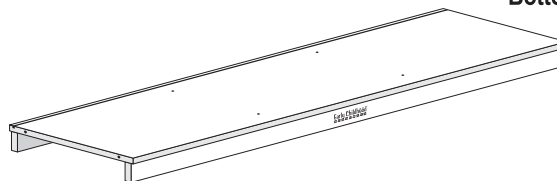
Connector Screws & Posts (8/8)
& Piano Hinge (1)



Use a Phillips Screwdriver.

D

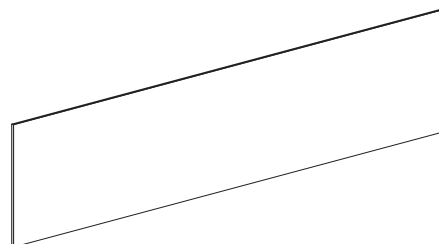
Bottom Shelf (2)



Batch ID
located underneath.

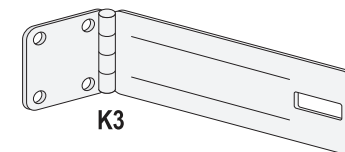
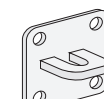
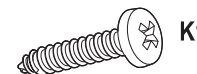
E

Back Panels (4)



K

Phillips Screws (8) & Safety Clasp (1/1)



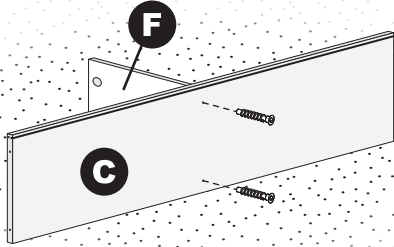
K2

K3

Use a Phillips Screwdriver.

1 Install Upper Divider to Middle Shelf

Install one **Divider (F)** on to the **Middle Shelf (C)** with two **Hex Screws (G)** using the Hex Tool.

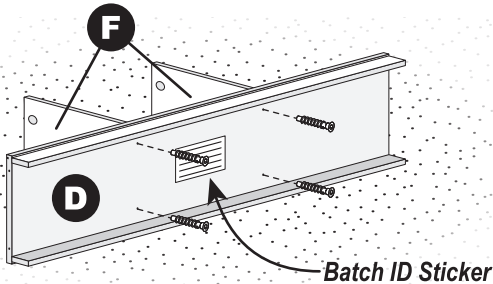


Place two **Cam Locks (H2)** into the recessed holes on each **Divider (F)**, with the arrow facing the closest edge.

Note: The grooves on the **Middle Shelf** are away from the ground.

2 Install Lower Dividers to Bottom Shelf

Install two **Dividers (F)** on to the **Bottom Shelf (D)** with four **Hex Screws (G)** using the Hex Tool.



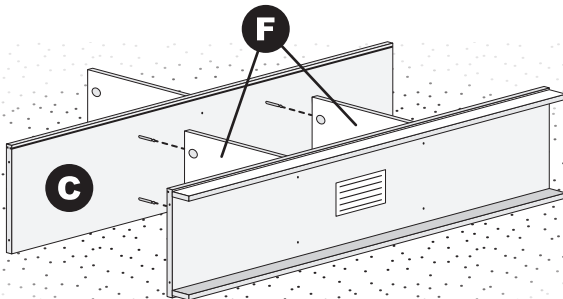
Place two **Cam Locks (H2)** into the recessed holes on each **Divider (F)**, with the arrow facing the closest edge.

Note: The grooves on the **Bottom Shelf** are away from the ground.

3 Connect Middle Shelf to Lower Dividers

Install four **Cam Posts (H1)** into the threaded plastic inserts on the underside of **Middle Shelf (C)** with a Phillips screwdriver.

Reminder: Do not overtighten, as the plastic threads can be stripped.



Insert the **Middle Shelf (C)** Cam Posts into the holes on the top edge of the lower **Dividers (F)**. Turn the Cam Locks clockwise with a Phillips screwdriver to lock the lower **Dividers (F)** onto the posts.

See Next Page

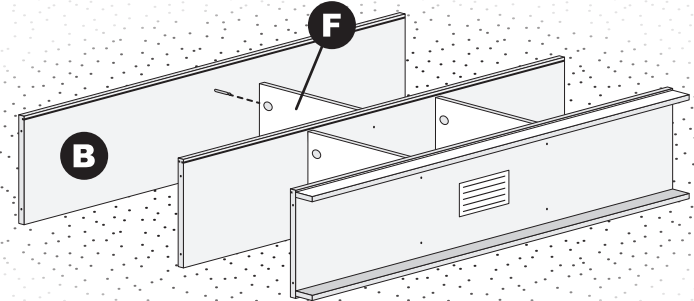
4 Connect Top Panel to Upper Divider

Install two **Cam Posts (H1)** into the threaded plastic inserts on the underside of **Top Panel (B)** with a Phillips screwdriver.

Reminder: Do not overtighten, as the plastic threads can be stripped.

Insert the **Top Panel (B)** Cam Posts into the holes on the top edge of the upper **Divider (F)**. Turn the Cam Locks clockwise with a Phillips screwdriver to lock the upper **Divider (F)** onto the posts.

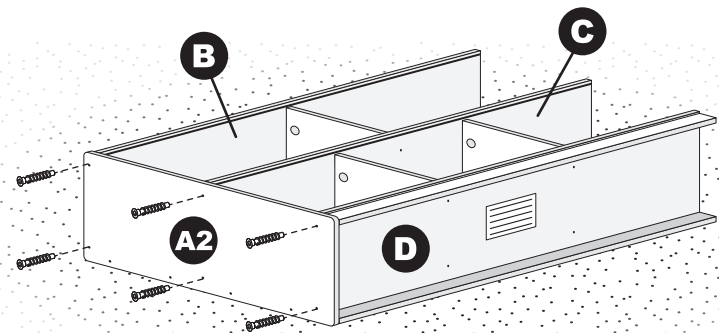
Note: The grooves on the **Top Panel** are away from the ground.



5 Install Right Side Panel

Install the **Right Side Panel (A2)** on to the **Top Panel (B)**, **Middle Shelf (C)** & **Bottom Shelf (D)** with six **Hex Screws (G)** using the Hex Tool.

For the second unit: Substitute **A4** for **A2** and **A3** for **A1**, this will place the hinge mounting holes at opposite ends of the each unit, allowing them to connect together with the piano hinge.

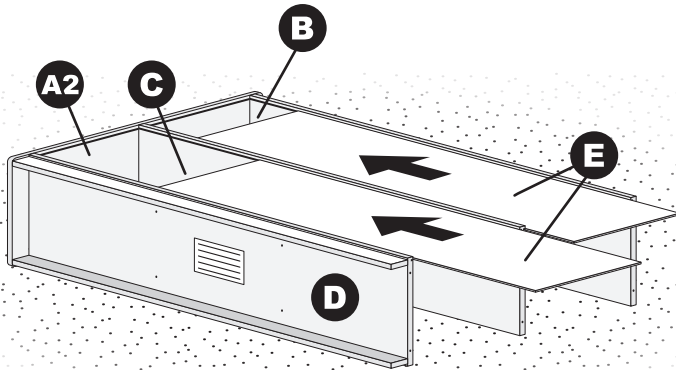


Use **A4** on second unit.

6 Insert the Back Panels

Slide both **Back Panels (E)** into the grooves on the **Top Panel (B)**, **Middle Shelf (C)** & **Bottom Shelf (D)** as shown, until fully seated into the groove on the inside of the **Right Side Panel (A2)**.

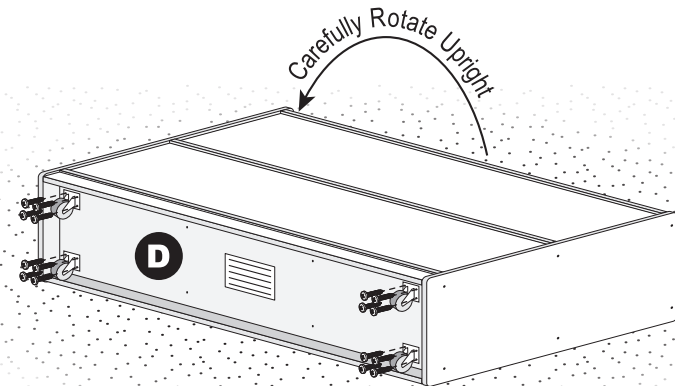
Tip: If the Back Panels do not slide in easily, wiggle the panels while pushing into place.



8 Install the Casters

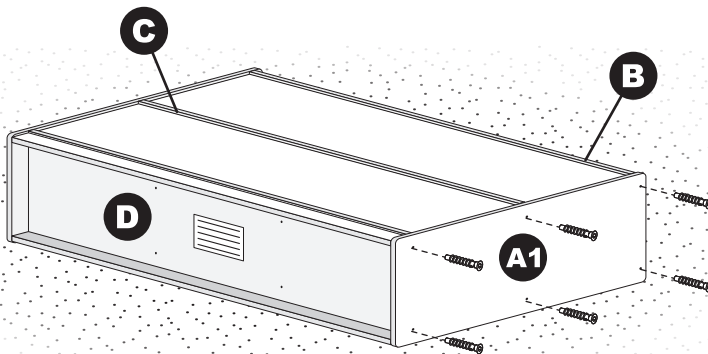
Install the four **Castors (I2)** into the pre-drilled holes on the underside of the **Bottom Shelf (D)**, with four **Phillips screws (I1)** per caster, using a Phillips screwdriver.

Two Adults Recommended: Carefully rotate unit upright.



7 Install Left Side Panel

Install the **Left Side Panel (A1)** on to the **Top Panel (B)**, **Middle Shelf (C)** & **Bottom Shelf (D)** with six **Hex Screws (G)** using the Hex Tool.



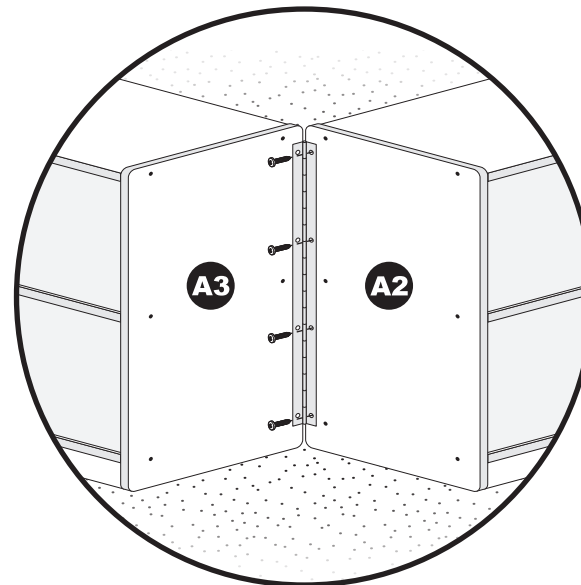
Use **A3** on second unit.

9 Install the Piano Hinge

Install the **Piano Hinge (J3)** on the first unit with four **Connector Screws (J2)** with four **Connector Posts (J1)**, screwing together from either side of **Side Panels A2**.

Repeat connecting onto **Side Panel A3**.

Tip: Test to make sure the hinge does not bind by opening/closing the units.

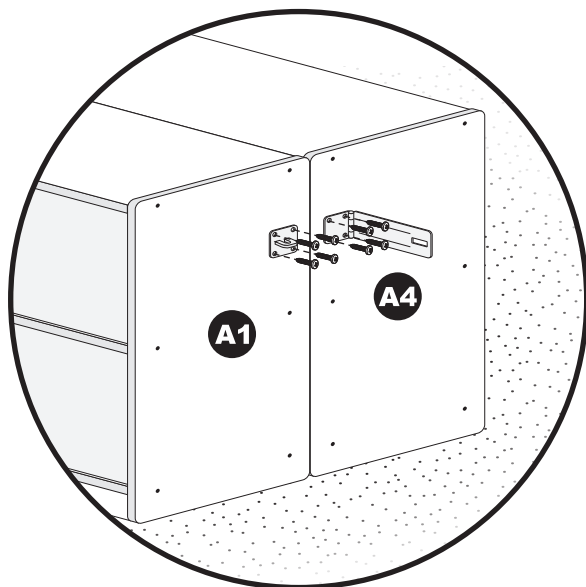


See Next Page

10 Install the Safety Clasp

Install the **Safety Clasp (K2/K3)** into the pre-drilled holes on the outside of **Side Panels A1 & A4**, with four **Phillips screws (K1)** per each half of the clasp, using a Phillips screwdriver.

Tip: Check that Safety Clasp aligns properly and engages correctly. Secure with a padlock if desired (not included).



CAUTION:

- **Only move the units in the closed & secured position.**
- **Only Adults should open/close units.**
- **Do not allow children to climb on unit.**
- **Do not use as a ladder or step.**

Care and Cleaning

Clean wood with a damp cloth or sponge using warm water and mild soap. Wipe dry.

Do not place near heat, moisture or vaporizer which may cause wood to warp and peel.

Check for loose or worn parts periodically and tighten or replace as necessary.

**Early Childhood
RESOURCES**

We appreciate your purchase of the
5 Compartment Fold-N-Lock Storage Cabinet.
Early Childhood Resources has made every effort to supply a quality product,
that with proper use and care, will bring you many years of trouble free use!

If you experience any difficulties with this product, please email us at
customerservice@ecr4kids.com or call toll-free at (888) 227-9028
(Monday - Friday, 7:00am - 4:00pm Pacific Standard Time)

Please do not return to place of purchase as Early Childhood Resources
will replace defective part(s) and/or product.



“Early Childhood Resources® guarantees the quality of all of our products. You can trust the quality and safety of our furniture and materials, along with the peace of mind that our products are made to last. If for any reason, you are not satisfied with the quality and workmanship of our products, we will replace the item or refund the sale.”

Record the manufacture date here.
Information is located on the Batch ID
sticker and on the shipping carton.
Save this sheet in an accessible place.

Model Number: ELR-0422, ELR-0423
(circle one)

Factory Code: BR

Manufacture Date: _____

Batch ID Number: _____
(Located on Part D)