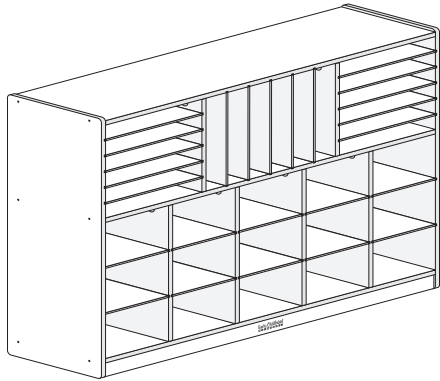


Multi-Section Storage Cabinet Model# ELR-0428



⚠ WARNING:

Adult Assembly Required.

Two adults recommended.

- Contains small parts, sharp points and edges.
- Do not stand, sit, kneel, climb, lean or pull on unit for support.
- Never leave children unattended.
- Do not place unit near high heat or moisture.
- Adult supervision recommended.

TOOLS INCLUDED

- Hex Tool (1)



TOOLS NEEDED

- Phillips Screwdriver



Parts List

BEFORE ASSEMBLING, MAKE SURE YOU HAVE ALL THE PARTS

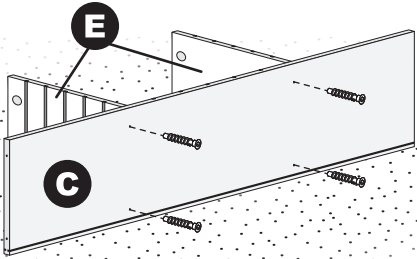
<p>A</p> <p>Left & Right Side Panels (1/1)</p>	<p>F</p> <p>Lower Dividers (4)</p>	<p>G</p> <p>Lower Back Panels (5)</p>
<p>B</p> <p>Top Panel (1)</p>	<p>H</p> <p>Upper Back Panel (1)</p>	
<p>C</p> <p>Middle Shelf (1)</p>	<p>I</p> <p>Lower Shelves (10)</p>	<p>K</p> <p>Thin Dividers (5)</p>
<p>D</p> <p>Bottom Shelf (1)</p> <p><i>Batch ID located underneath.</i></p>	<p>J</p> <p>Upper Shelves (10)</p>	<p>L</p> <p>Hex Screws (24)</p>
<p>E</p> <p>Upper Dividers (2)</p>	<p>M</p> <p>Cam Posts & Cam Locks (12/12)</p> <p>M1 M2</p> <p><i>Use a Phillips Screwdriver.</i></p>	<p>N</p> <p>Phillips Screws & Casters (16/4)</p> <p>N1 N2</p> <p><i>Use a Phillips Screwdriver.</i></p>

Use the Hex Tool.

Use a Phillips Screwdriver.

1 Install Upper Dividers to Middle Shelf

Install both **Upper Dividers (E)** on to the **Middle Shelf (C)** with four **Hex Screws (L)** using the Hex Tool. **Note:** The grooves on the **Middle Shelf** are toward the ground.

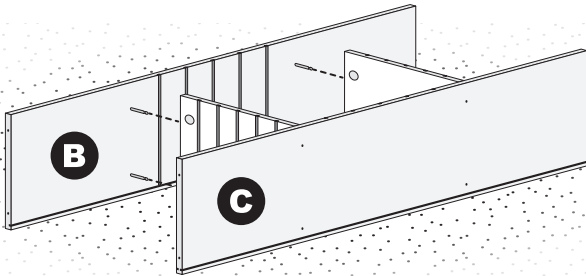


Place two **Cam Locks (M2)** into the recessed holes on each **Upper Divider (E)**, with the arrow facing the closest edge.

2 Connect Top Panel to Upper Dividers

Install four **Cam Posts (M1)** into the threaded plastic inserts on the underside of **Top Panel (B)** with a Phillips screwdriver. **Reminder:** Do not overtighten, as the plastic threads can be stripped.

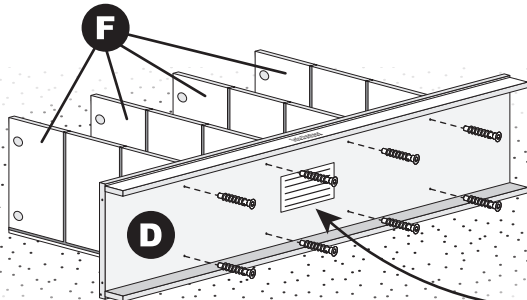
Note: The groove on the **Top Panel** is toward the ground.



Insert the **Top Panel (B)** Cam Posts into the holes on the top edge of the **Upper Dividers (E)**. Turn the **Cam Locks** clockwise with a Phillips screwdriver to lock the **Upper Dividers (E)** onto the posts.

3 Install Lower Dividers to Bottom Shelf

Install the **Lower Dividers (F)** on to the **Bottom Shelf (D)** with eight **Hex Screws (L)** using the Hex Tool. **Note:** The grooves on the **Bottom Shelf & Lower Dividers** are toward the ground.



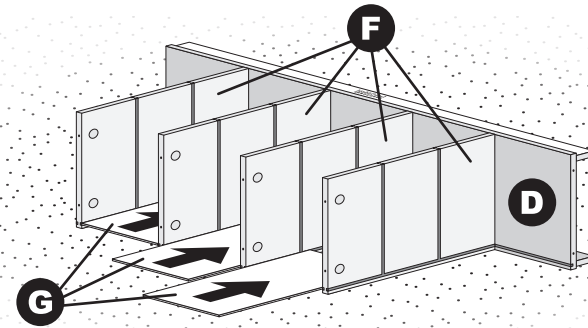
Batch ID Sticker

4 Insert the Lower Back Panels

Slide three **Lower Back Panels (G)** into the rear grooves on the **Lower Dividers (F)** as shown, until fully seated into the groove on the topside of the **Bottom Shelf (D)**.

Tip: If the **Back Panels** do not slide in easily, wiggle the panels while pushing into place.

Place two **Cam Locks (M2)** into the recessed holes on each **Lower Dividers (F)**, with the arrow facing the closest edge.

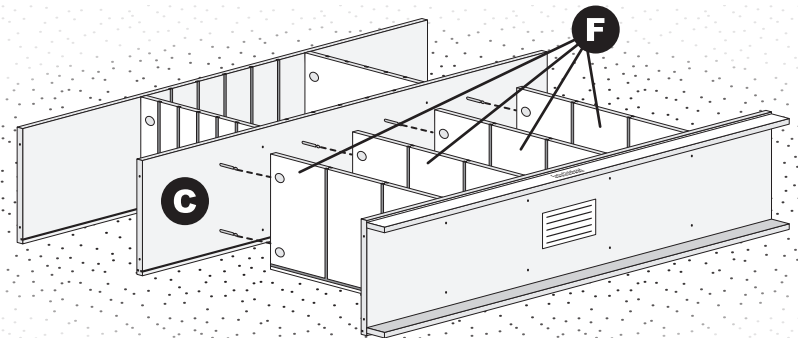


5 Connect Middle Shelf to Lower Dividers

Install eight **Cam Posts (M1)** into the threaded plastic inserts on the underside of **Middle Shelf (C)** with a Phillips screwdriver.

Reminder: Do not overtighten, as the plastic threads can be stripped.

Insert the **Middle Shelf (C)** Cam Posts into the holes on the top edge of the **Lower Dividers (F)**. Turn the **Cam Locks** clockwise with a Phillips screwdriver to lock the **Lower Dividers (F)** onto the posts.

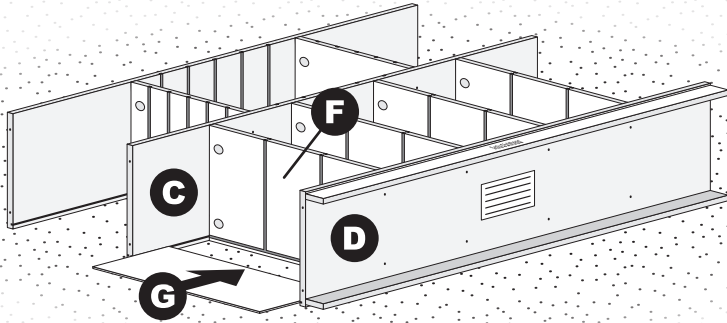


See Next Page

6 Insert Left Side Lower Back Panel

Slide one **Lower Back Panel (G)** into the grooves on the underside of **Middle Shelf (C)** and topside of the **Bottom Shelf (D)** as shown, until fully seated into the groove on the inside of the **Lower Divider (F)**.

Tip: If the Back Panel does not slide in easily, wiggle the panel while pushing into place.

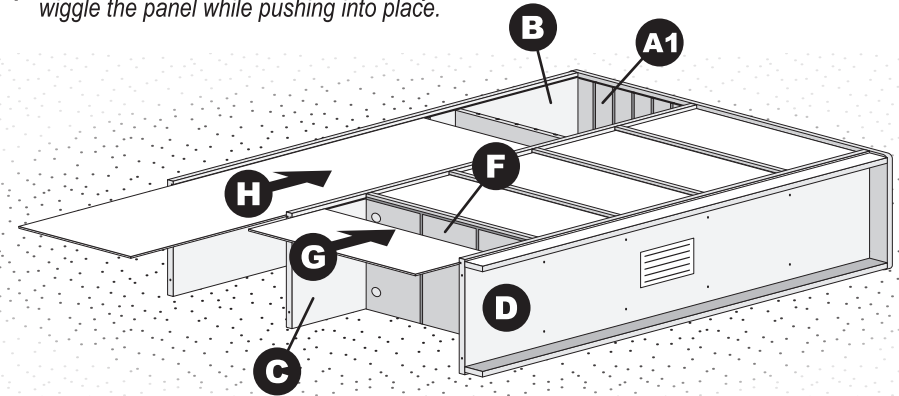


8 Insert Remaining Back Panels

Slide the remaining **Lower Back Panel (G)** into the grooves on the underside of **Middle Shelf (C)** and topside of the **Bottom Shelf (D)** as shown, until fully seated into the groove on the inside of the **Lower Divider (F)**.

Slide the **Upper Back Panel (H)** into the grooves on the underside of the **Top Panel (B)** and topside of **Middle Shelf (C)** as shown, until fully seated into the groove on the inside of the **Left Side Panel (A1)**.

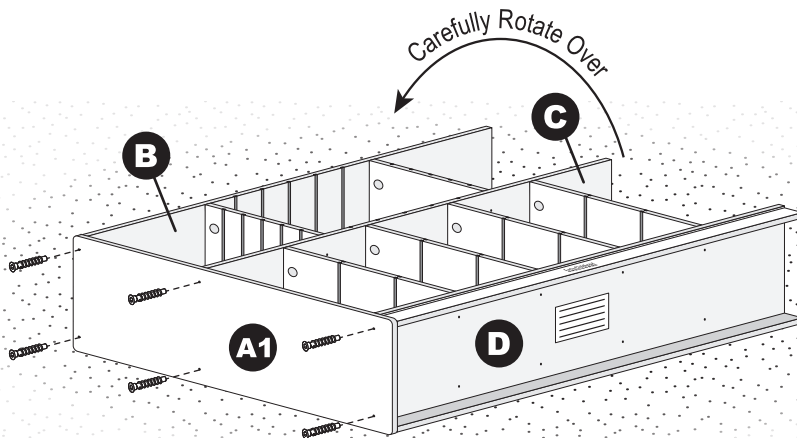
Tip: If the Back Panel does not slide in easily, wiggle the panel while pushing into place.



7 Install Left Side Panel

Install the **Left Side Panel (A1)** on to the **Top Panel (B)**, **Middle Shelf (C)** and **Bottom Shelf (D)** with six **Hex Screws (L)** using the Hex Tool.

Two Adults Recommended: Carefully rotate unit over so the front is facing the ground.

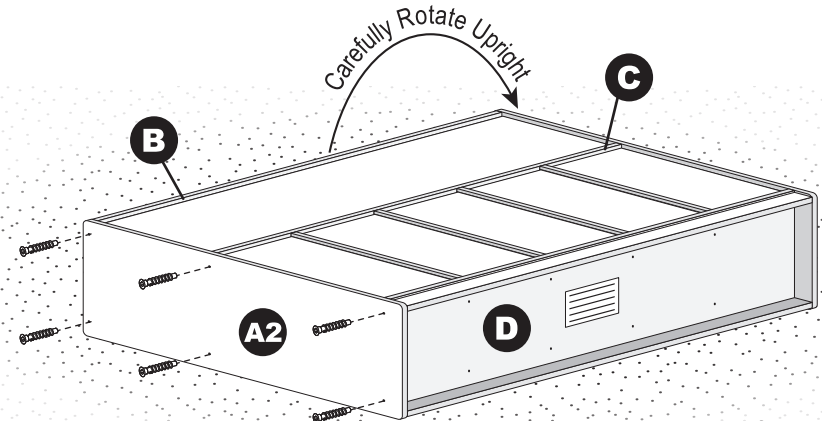


9 Install the Right Side Panel

Install the **Right Side Panel (A2)** on to the **Top Panel (B)**, **Middle Shelf (C)** and **Bottom Shelf (D)** with six **Hex Screws (L)** using the Hex Tool.

Optional: Install the four **Casters (N2)** into the pre-drilled holes on the underside of the **Bottom Shelf**, with four **Phillips screws (N1)** per caster, using a **Phillips screwdriver**.

Two Adults Recommended:
Carefully rotate unit upright.

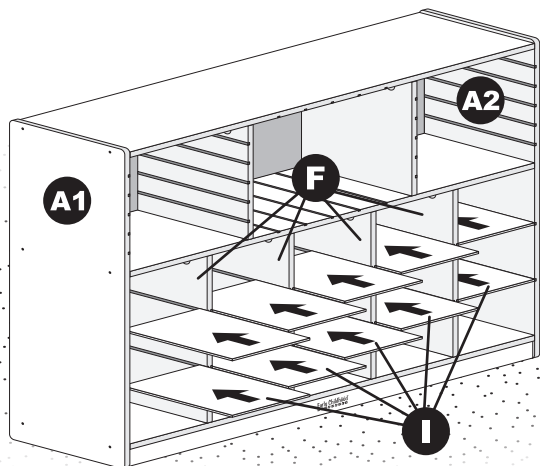


See Next Page

10 Insert the Lower Shelves

Slide the **Lower Shelves (I)** into the grooves on the sides of **Lower Dividers (F)** and insides of the **Side Panels (A1/A2)** as shown, until fully seated against the Lower Back Panels.

Tip: If the Shelves do not slide in easily, wiggle them while pushing into place.

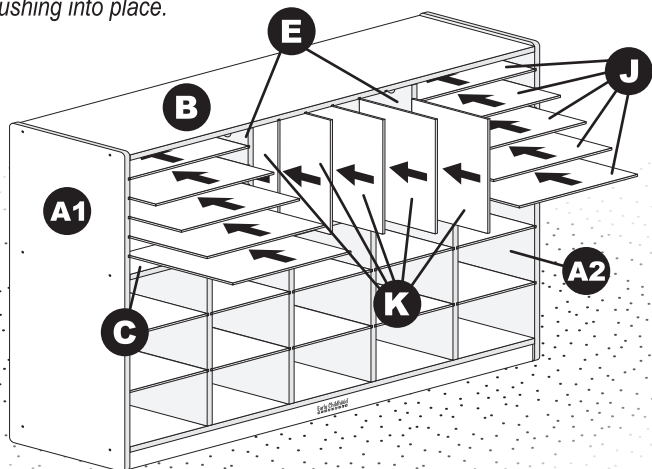


11 Insert Upper Shelves & Thin Dividers

Slide the **Upper Shelves (J)** into the grooves on the sides of **Upper Dividers (E)** and insides of the **Side Panels (A1/A2)** as shown, until fully seated against the Upper Back Panel.

Slide the **Thin Dividers (K)** into the grooves underside of the **Top Panel (B)** and topside of **Middle Shelf (C)** as shown, until fully seated against the Upper Back Panel.

Tip: If the Shelves do not slide in easily, wiggle them while pushing into place.



Early Childhood
RESOURCES

We appreciate your purchase of the Multi-Section Storage Cabinet. Early Childhood Resources has made every effort to supply a quality product, that with proper use and care, will bring you many years of trouble free use!

If you experience any difficulties with this product, please email us at customerservice@ecr4kids.com or call toll-free at (888) 227-9028 (Monday - Friday, 7:00am - 4:00pm Pacific Standard Time)

Please do not return to place of purchase as Early Childhood Resources will replace defective part(s) and/or product.



"Early Childhood Resources® guarantees the quality of all of our products. You can trust the quality and safety of our furniture and materials, along with the peace of mind that our products are made to last. If for any reason, you are not satisfied with the quality and workmanship of our products, we will replace the item or refund the sale."

Care and Cleaning

Clean wood with a damp cloth or sponge using warm water and mild soap. Wipe dry.

Do not place near heat, moisture or vaporizer which may cause wood to warp and peel.

Check for loose or worn parts periodically and tighten or replace as necessary.

Record the manufacture date here. Information is located on the Batch ID sticker and on the shipping carton. Save this sheet in an accessible place.

Model Number: ELR-0428

Factory Code: BR

Manufacture Date: _____

Batch ID Number: _____
(Located on Part D)