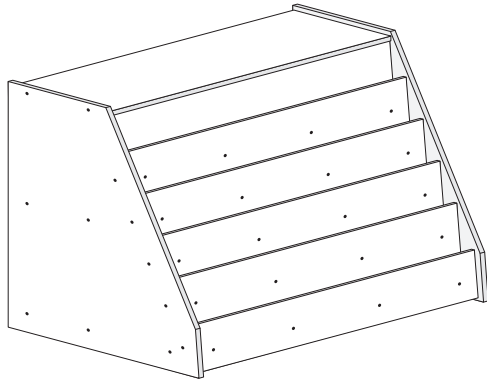




Mt. Laurel, NJ 08054 USA
www.ecr4kids.com

Book Display with Storage
Model# ELR-0429



⚠ WARNING:

Adult Assembly Required.

- Two adults recommended.
- Contains small parts, sharp points and edges.
- Do not stand, sit, kneel, climb, lean or pull on unit for support.
- Never leave children unattended.
- Do not place unit near high heat or moisture.
- Adult supervision recommended.

TOOLS INCLUDED

- Hex Tool (1)



TOOLS NEEDED

- Phillips Screwdriver



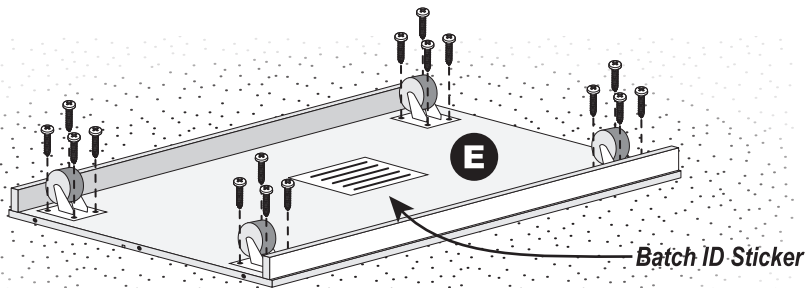
Parts List

BEFORE ASSEMBLING, MAKE SURE YOU HAVE ALL THE PARTS

<p>A Left & Right Side Panels (1/1)</p>	<p>E Bottom Shelf (1)</p> <p><i>Batch ID Sticker located on underside</i></p>
<p>B Shelves (1)</p>	<p>F Back Panels (2)</p>
<p>C Top Panel (1)</p>	<p>G Hex Screws (24)</p> <p><i>Use the Hex Tool</i></p>
<p>D Middle Shelf (1)</p>	<p>H Phillips Screws & Casters (16/4)</p> <p>H1 H2</p> <p><i>Use a Phillips Screwdriver</i></p>

1 Install the Casters onto Bottom Shelf

Install the four **Castors (H2)** into the pre-drilled holes on the underside of **Bottom Shelf (E)**, with four **Phillips Screws (H1)** per caster, using a Phillips screw driver.

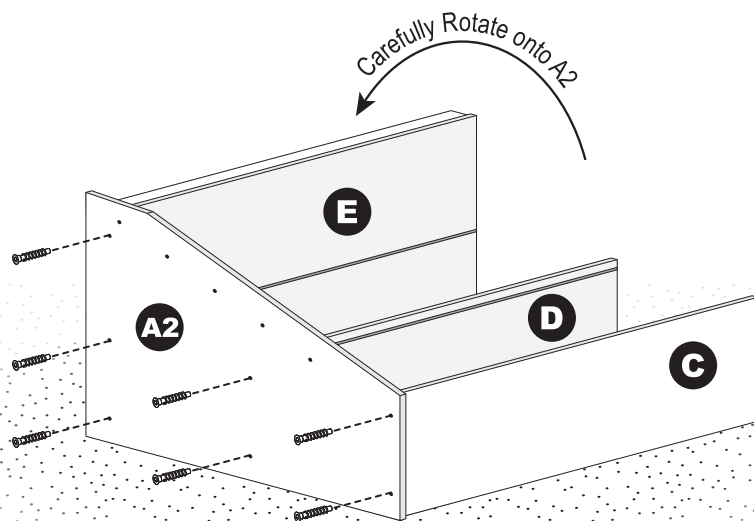


2 Install the Right Side Panel

Install the **Top Panel (C)**, **Middle Shelf (D)** and **Bottom Shelf (E)** onto the **Right Side Panel (A2)** with seven **Hex Screws (G)** using the Hex Tool.

Reminder: Make sure the grooves on each panel are away from the ground and align with each other.

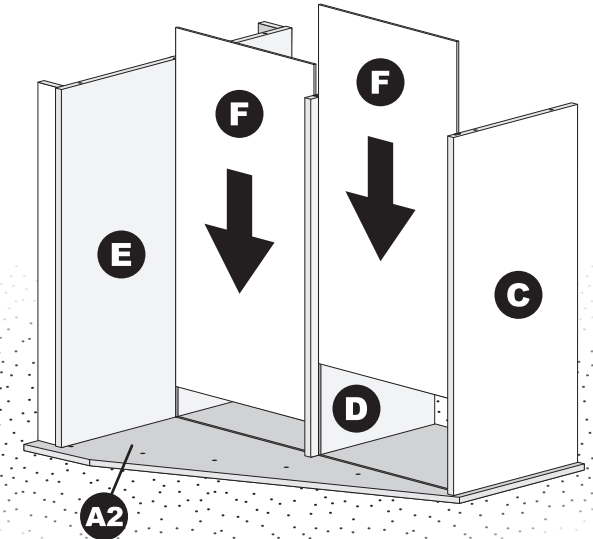
Two Adults Recommended: Carefully rotate the unit onto **Right Side Panel (A2)**.



3 Slide the Back Panels into Place

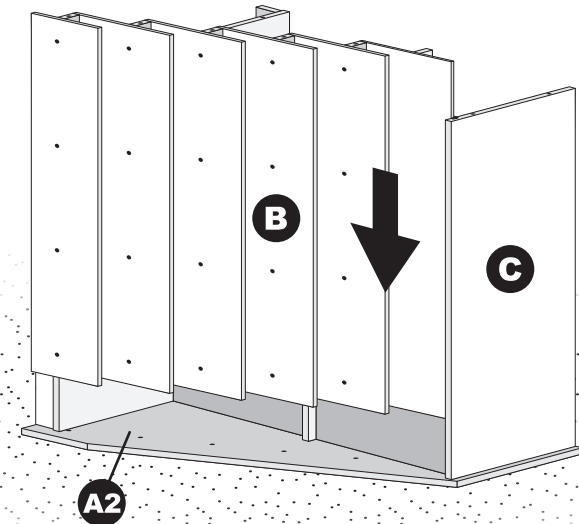
Slide both **Back Panels (F)** into the grooves on the **Top Panel (C)**, **Middle Shelf (D)** and **Bottom Shelf (E)** as shown, until fully seated into the groove on the inside of **Right Side Panel (A2)**.

Tip: If the **Back Panels (F)** do not slide in easily, wiggle the panels while pushing into place.



4 Slide the Shelves into Place

Slide the **Shelves (B)** so the top edges go into the groove on the underside of **Top Panel (C)**, until fully seated against the inside of **Right Side Panel (A2)**.

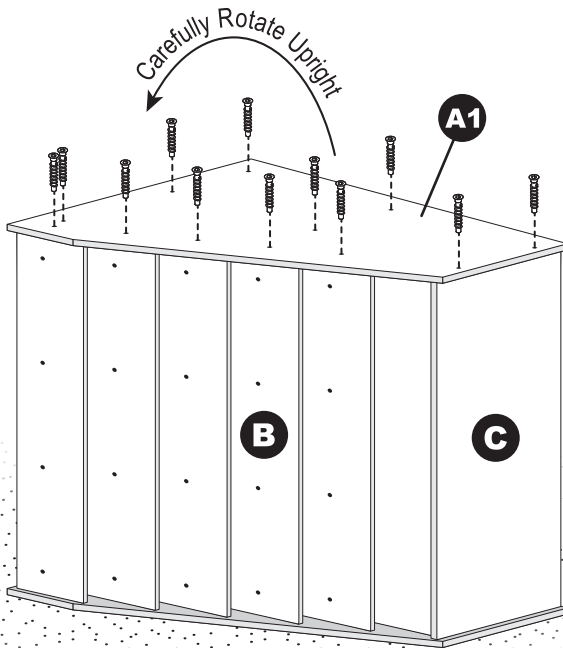


See Next Page

5 Install the Left Side Panel

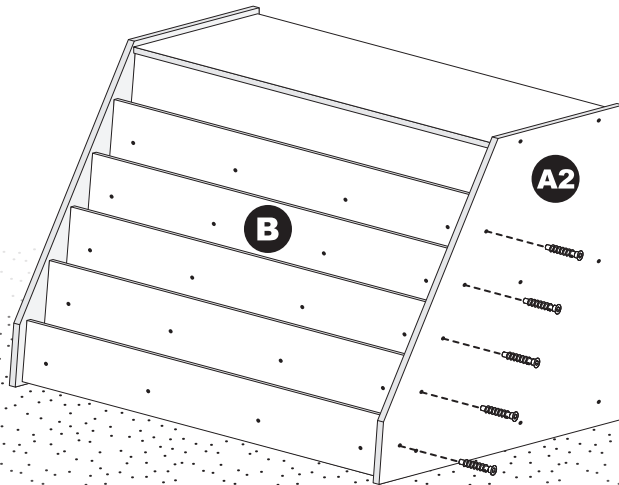
Install the **Left Side Panel (A1)** onto the **Shelves (B)**, **Top Panel (C)**, **Middle Shelf (D)** and **Bottom Shelf (E)** with twelve **Hex Screws (G)** using the Hex Tool.

Two Adults Recommended:
Carefully rotate the unit upright.



6 Complete Installation of the Shelves

Complete the installation of the **Shelves (B)** onto the **Right Side Panel (A2)** with five **Hex Screws (G)** using the Hex Tool.



ECR 4 KIDS

We appreciate your purchase of the Book Display with Storage. ECR4KIDS® has made every effort to supply a quality product that with proper use and care, will provide many years of trouble-free use.

If you experience any difficulties with this product, please email us at ecrcs@ecr4kids.com or call toll-free at (855) ECR-4KIDS (Monday - Friday, 7:00am - 4:00pm Pacific Standard Time)

Please do not return to place of purchase as ECR4KIDS® will replace defective part(s) and/or product.



ECR4KIDS® guarantees the quality of all our products. You can trust the quality and safety of our furniture and materials, along with the peace of mind that our products are made to last. If for any reason you are not satisfied with the quality or workmanship of our products, we will replace the item or refund the sale.

Care and Cleaning

Clean wood with a damp cloth or sponge using warm water and mild soap. Wipe dry.

Do not place near heat, moisture or vaporizer which may cause wood to warp and peel.

Check for loose or worn parts periodically and tighten or replace as necessary.

Record the manufacture date here. Information is located on the Batch ID sticker and on the shipping carton. Save this sheet in an accessible place.

Model Number: ELR-0429

Factory Code: D

Manufacture Date: _____

Batch ID Number: _____
(Located on Part E)