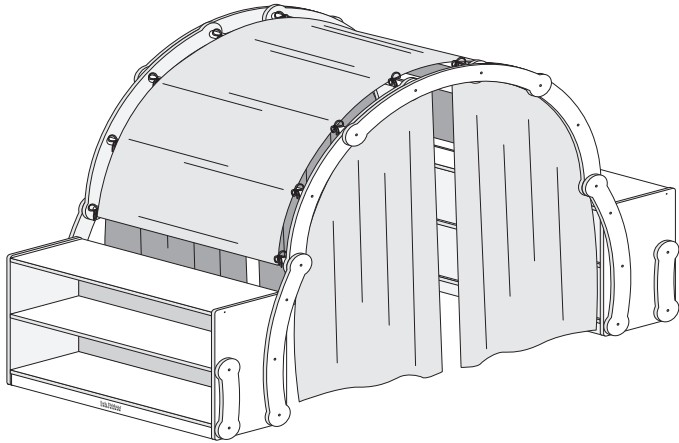


Discovery Cove Model# ELR-0452



⚠ WARNING:

Adult Assembly Required.

Two adults recommended.

- Contains small parts, sharp points and edges.
- Do not stand, sit, kneel, climb, lean or pull on unit for support.
- Never leave children unattended.
- Do not place unit near high heat or moisture.
- Adult supervision recommended.

TOOLS INCLUDED

- Hex Tool (1)



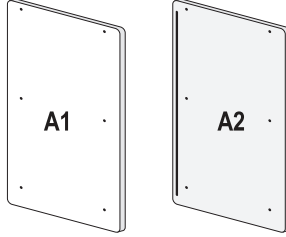
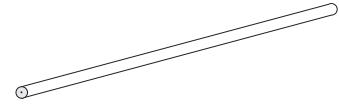
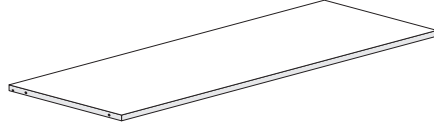
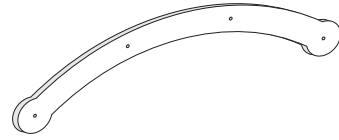
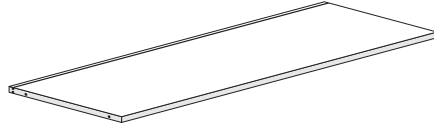
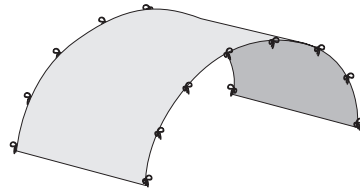
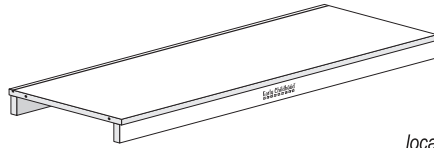
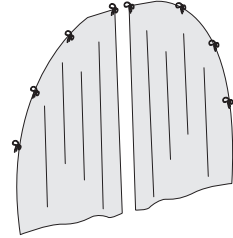
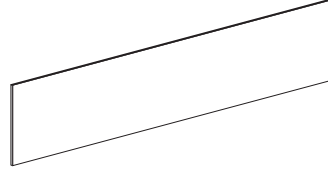
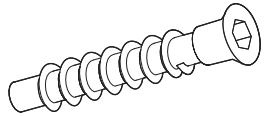


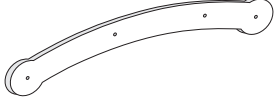
TOOLS NEEDED

- ✚ Phillips Screwdriver



Parts List

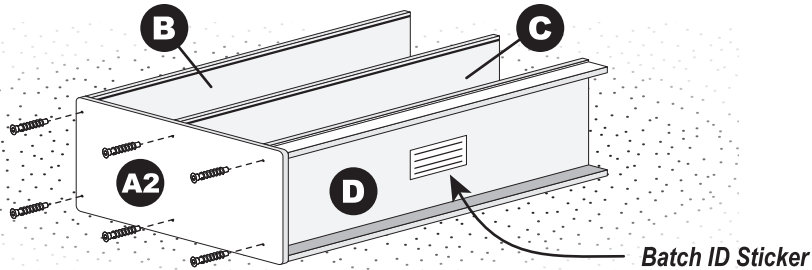
BEFORE ASSEMBLING, MAKE SURE YOU HAVE ALL THE PARTS

A  Side Panels (2/2)	H  Wood Poles (8)
B  Top Panel (2)	I  Large Arc (6)
C  Middle Shelf (2)	J  Top Cover (1)
D  Bottom Shelf (2) <i>Batch ID Sticker located on underside</i>	K  Curtains (4)
E  Back Panels (4)	L  Hex Screws (40) <i>Use the Hex Tool.</i>
F  Small Arc (4)	M  Phillips Screws (20) <i>Use a Phillips Screwdriver.</i>
G  Medium Arc (4)	

1 Install the Right Side Panel

Install **Right Side Panel (A2)** on to the **Top Panel (B)**, **Middle Shelf (C)** & **Bottom Shelf (D)** with six **Hex Screws (L)** using the Hex Tool.

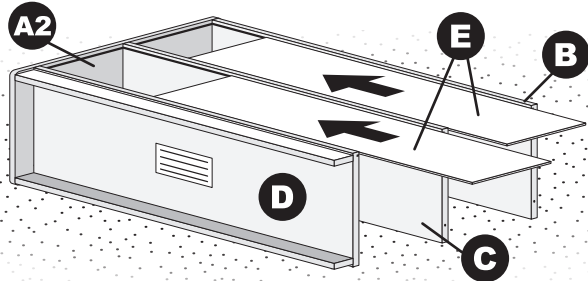
Note: The grooves on the **Top Panel**, **Middle** and **Bottom Shelves** are away from the ground.



2 Insert the Back Panels

Slide both **Back Panels (E)** into the grooves on the **Top Panel (B)**, **Middle Shelf (C)** & **Bottom Shelf (D)** as shown, until fully seated into the groove on the inside of the **Right Side Panel (A2)**.

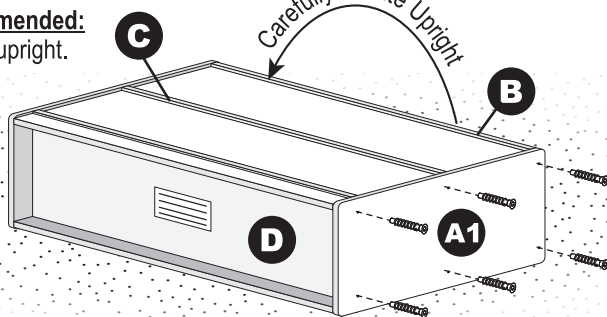
Tip: If the **Back Panels** do not slide in easily, wiggle the panels while pushing into place.



3 Install the Left Side Panel

Install **Left Side Panel (A1)** on to the **Top Panel (B)**, **Middle Shelf (C)** & **Bottom Shelf (D)** with six **Hex Screws (L)** using the Hex Tool.

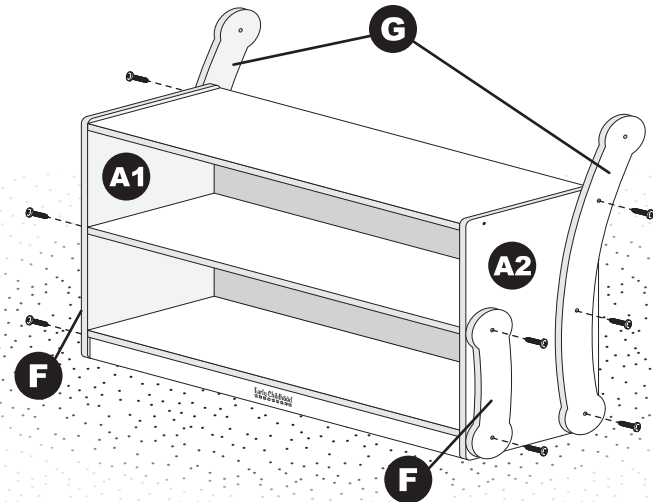
Two Adults Recommended: Carefully rotate unit upright.



3 Install the Small & Medium Side Arcs

Install the **Small Arc (F)** onto the **Side Panels (A1/A2)** in the small pre-drilled holes toward the front of the cabinet and the **Medium Arc (G)** into the small pre-drilled holes toward the rear of the cabinet, with ten **Phillips Screws (M)** per cabinet, using a Phillips screwdriver.

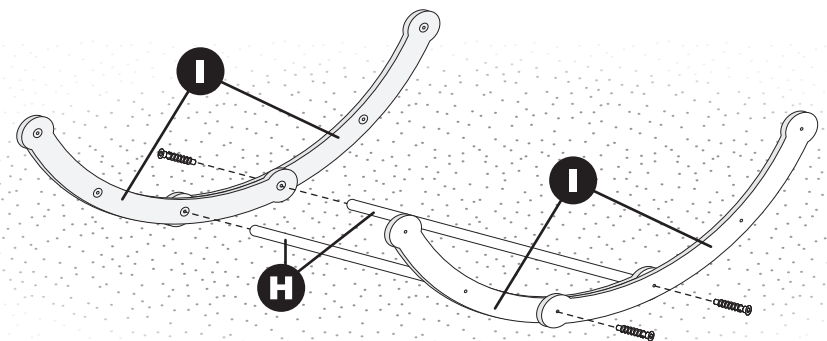
Note: The concave side of the arcs faces outward, as shown below.



4 Assemble the Large Arcs Together

Connect two **Wood Poles (H)** to the ends of two **Large Arcs (I)** as shown, with two **Hex Screws (L)** using the Hex Tool. Repeat on the opposite end of the poles, mirroring the assemble side.

Reminder: Make sure that both sides mirror each other; **Wood Poles**, **Inner Arcs** then **Outer Arcs**.

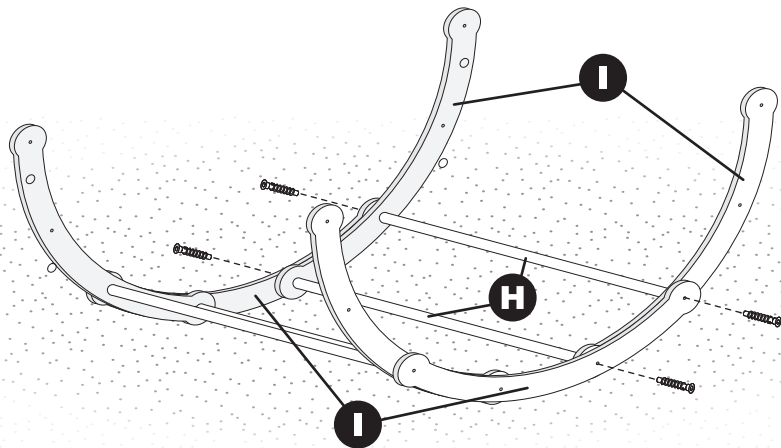


See Next Page

5 Assemble the Large Arcs Together

Connect two **Wood Poles (H)** thru the ends of two **Large Arcs (I)** on the inside of the outer arcs from the previous step as shown, with two **Hex Screws (L)** using the Hex Tool. Repeat on the opposite end of the poles, mirroring the assemble side.

Reminder: Make sure that both sides mirror each other; four Wood Poles, four Inner Arcs then two Outer Arcs.

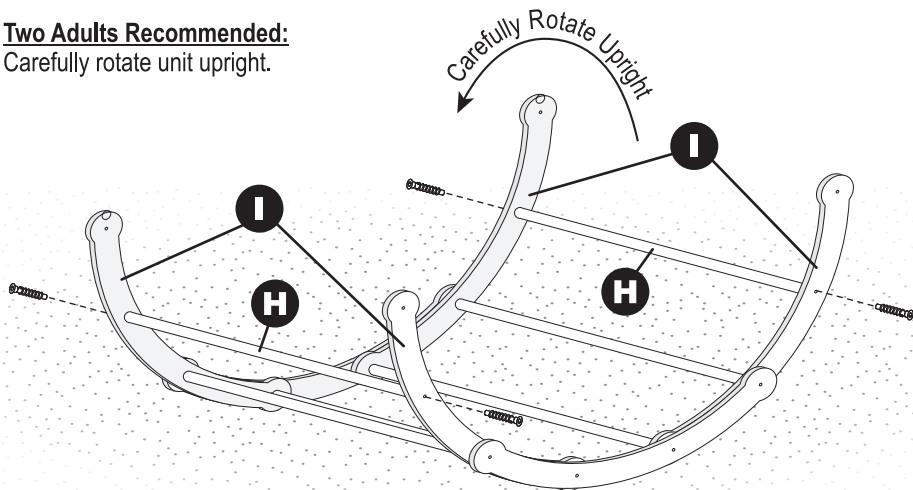


6 Assemble the Large Arcs Together

Connect two **Wood Poles (H)** thru the inner **Large Arcs (I)**, as shown with two **Hex Screws (L)** using the Hex Tool.

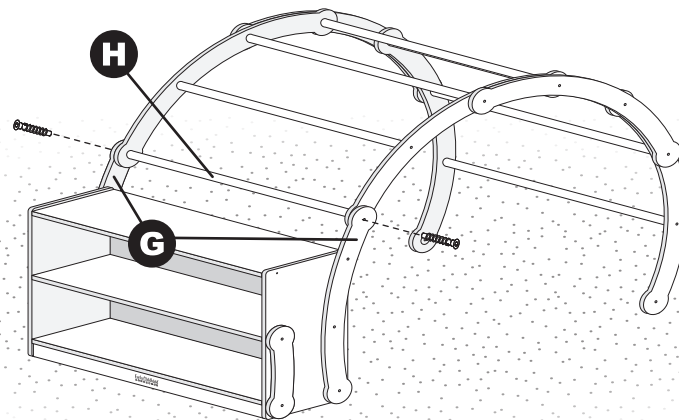
Reminder: Make sure that both sides mirror each other; six Wood Poles, four Inner Arcs then two Outer Arcs.

Two Adults Recommended:
Carefully rotate unit upright.



7 Install the Arch onto the Left Cabinet

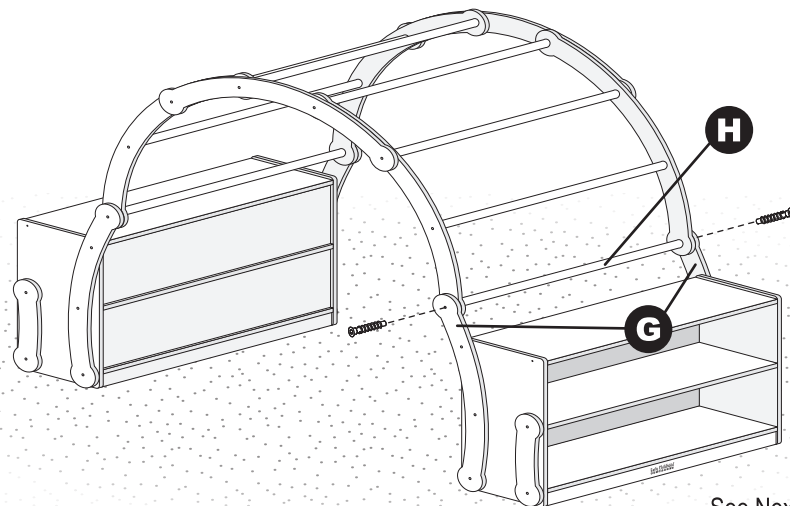
Two Adults Recommended: Lift the assembled arch so one end fits between the **Medium Arcs (G)** attached to an End Cabinet. Loosely connect with a **Wood Pole (H)** in between as shown, with two **Hex Screws (L)** using the Hex Tool. Tighten completely after next step.



8 Install the Arch onto the Right Cabinet

Two Adults Recommended: Lift the assembled arch so the other end fits between the **Medium Arcs (G)** attached to the other End Cabinet. Connect with a **Wood Pole (H)** in between as shown, with two **Hex Screws (L)** using the Hex Tool.

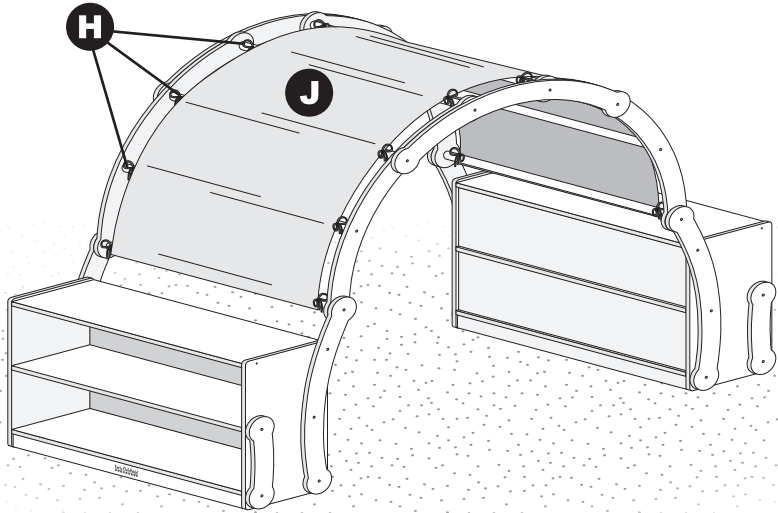
Reminder: Make sure that both End Cabinets are standing upright and NOT tilted, adjust if needed by moving the cabinets closer/further to/from each other. Tighten the **Hex Screws (L)** that connect the **Large Arcs (I)** to the **Medium Arcs (G)**.



See Next Page

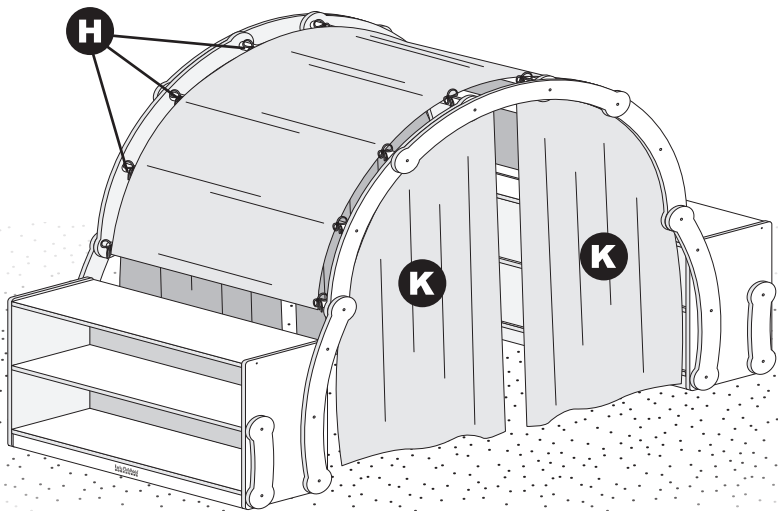
9 Attach the Top Cover

Drape the **Top Cover (J)** over the arch, secure onto the **Wood Poles (H)** with the attached ties.



10 Hang the Curtains

Hang the **Curtains (K)** from the arch, secure onto the **Wood Poles (H)** with the attached ties.



Early Childhood[®]
RESOURCES

We appreciate your purchase of the Discovery Cove. Early Childhood Resources has made every effort to supply a quality product, that with proper use and care, will bring you many years of trouble free use!

If you experience any difficulties with this product, please email us at customerservice@ecr4kids.com or call toll-free at (888) 227-9028 (Monday - Friday, 7:00am - 4:00pm Pacific Standard Time)

Please do not return to place of purchase as Early Childhood Resources will replace defective part(s) and/or product.



"Early Childhood Resources® guarantees the quality of all of our products. You can trust the quality and safety of our furniture and materials, along with the peace of mind that our products are made to last. If for any reason, you are not satisfied with the quality and workmanship of our products, we will replace the item or refund the sale."

Care and Cleaning

Clean wood with a damp cloth or sponge using warm water and mild soap. Wipe dry.

Do not place near heat, moisture or vaporizer which may cause wood to warp and peel.

Check for loose or worn parts periodically and tighten or replace as necessary.

Record the manufacture date here. Information is located on the Batch ID sticker and on the shipping carton. Save this sheet in an accessible place.

Model Number: ELR-0452

Factory Code: BR

Manufacture Date: _____

Batch ID Number: _____
(Located on Part D)