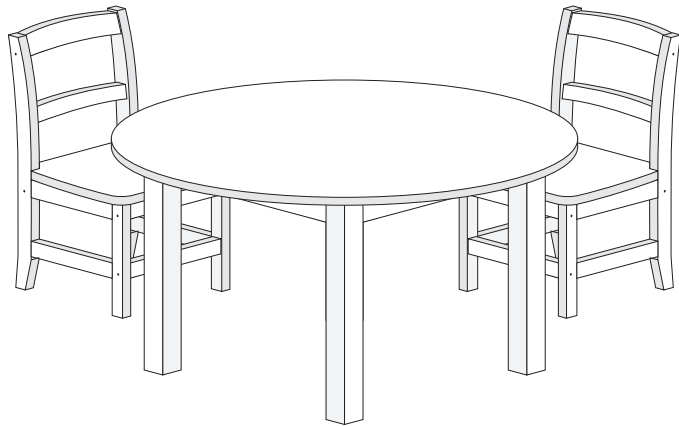




Mt. Laurel, NJ 08054 USA
www.ecr4kids.com

30" Round Table + Two 12" Hardwood Ladderback Chairs
Model# ELR-062



⚠ WARNING:

Adult Assembly Required.

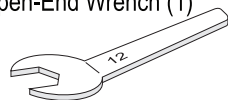
Two adults recommended.

- Contains small parts, sharp points and edges.
- Do not stand, kneel, climb, lean or pull on unit for support.
- Never leave children unattended.
- Do not place unit near high heat or moisture.
- Adult supervision recommended.

TOOLS INCLUDED

Hex Tool (1)

Open-End Wrench (1)



TOOLS NEEDED

Phillips Screwdriver

Rubber Mallet or Hammer

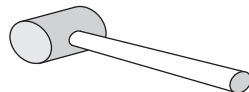
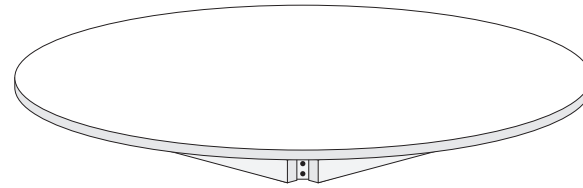


Table Parts List

BEFORE ASSEMBLING, MAKE SURE YOU HAVE ALL THE PARTS

A

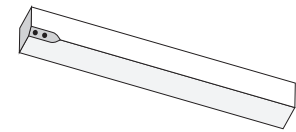
Table Top (1)



Batch ID Sticker located on underside

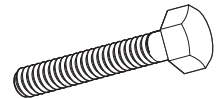
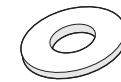
B

Table Legs (4)



C

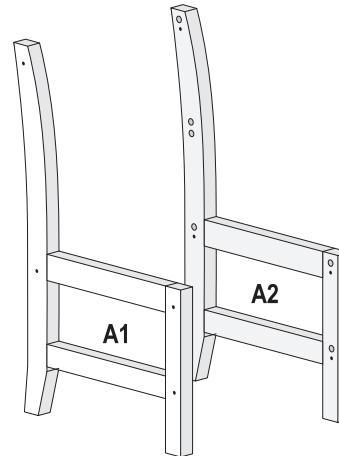
Washers / Bolts (8/8)



Chairs Parts List

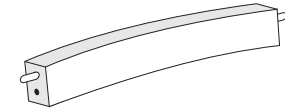
A

Left & Right Side Frames (2/2)



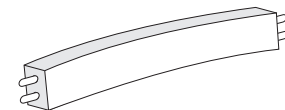
C

Upper Back Rails (2)



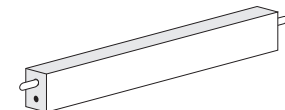
D

Lower Back Rails (2)



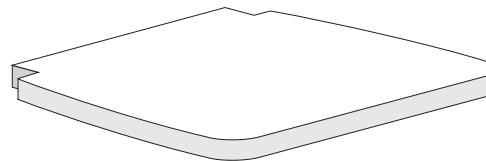
E

Front Crossbars (2)



B1

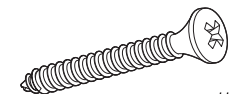
Seat Panels (2)



Batch ID Sticker located on underside

F

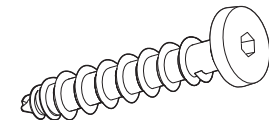
Phillips Screws (8)



Use a Phillips Screwdriver

G

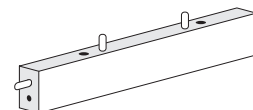
Hex Screws (16)



Use the Hex Tool

B2

Under-Seat Crossbars (4)



H

Screw Covers (16)



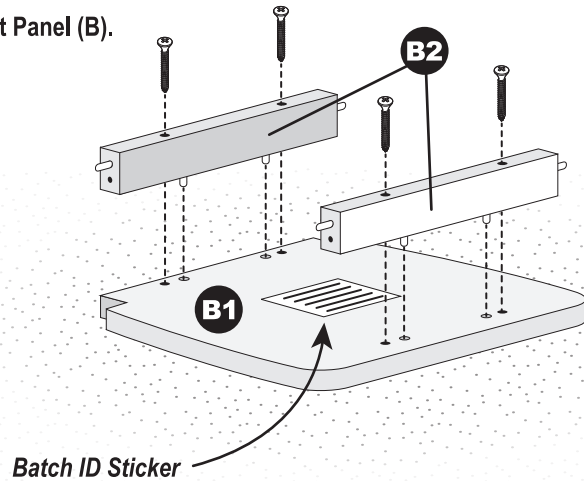
Use a Rubber Mallet or Hammer

1 Install the Under-Seat Crossbars

Insert the pre-installed wooden dowels on **Seat Crossbars (B2)** into the corresponding holes on the underside of **Seat Panels (B1)**, as shown.

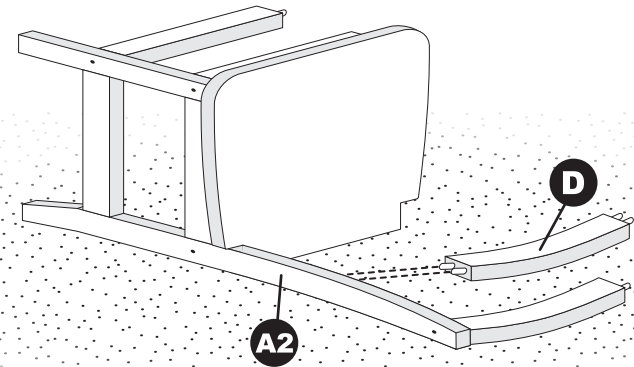
Install two **Seat Crossbars (B2)** onto the underside of each **Seat Panel (B1)** with four **Phillips Screws (F)** using a Phillips screwdriver.

This is now **Seat Panel (B)**.



3 Insert the Lower Back Rail

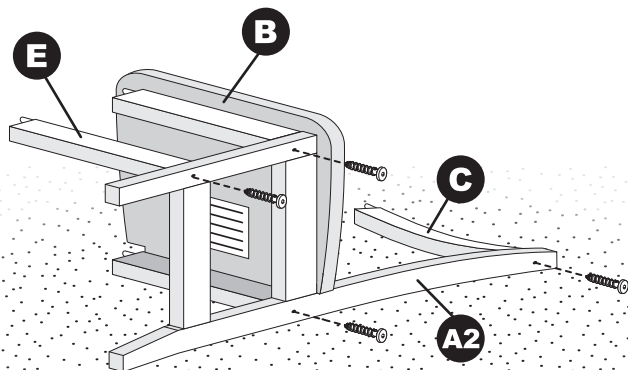
Insert the pre-installed wooden dowels on **Lower Back Rail (D)** into the corresponding holes on the inside of **Right Side Frame (A2)**.



2 Install the Right Side Frame

Insert the pre-installed wooden dowels on **Seat Panel (B)**, **Upper Back Rail (C)** and **Front Crossbar (E)** into the corresponding holes on the inside of **Right Side Frame (A2)**.

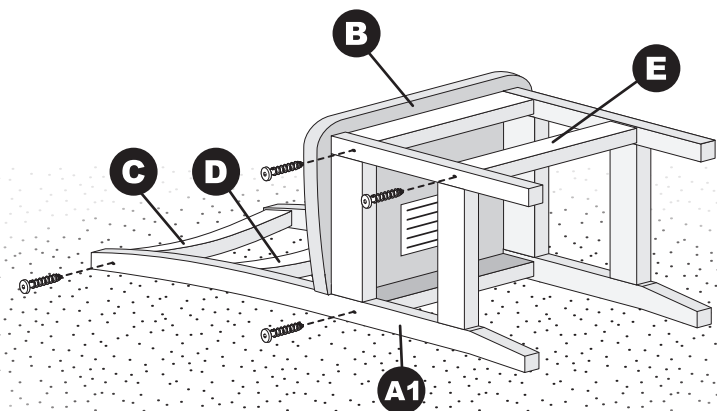
Install the **Seat Panel (B)**, **Upper Back Rail (C)** and **Front Crossbar (E)** onto the **Right Side Frame (A2)** with four **Hex Screws (G)** using the Hex Tool.



4 Install the Left Side Frame

Insert the pre-installed wooden dowels on **Seat Panel (B)**, **Upper Back Rail (C)**, **Lower Back Rail (D)** and **Front Crossbar (E)** into the corresponding holes on the inside of **Left Side Frame (A1)**.

Install the **Seat Panel (B)**, **Upper Back Rail (C)** and **Front Crossbar (E)** onto the **Right Side Frame (A2)** with four **Hex Screws (G)** using the Hex Tool.

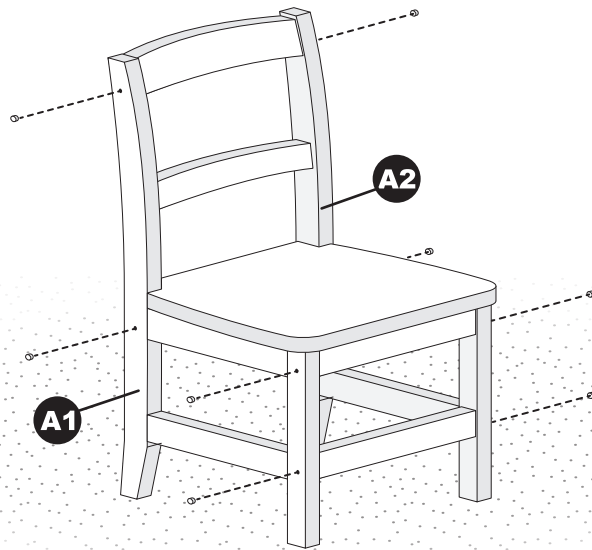


See Next Page

5 Check Straightness, Install the Screw Covers

Place the chair on a hard level surface and check to ensure that chair is sitting straight and does not wobble. If there is a slight wobble, loosen the **Hex Screws (G)** slightly and apply pressure onto the seat in opposing corners to remove the wobble. Re-tighten all **Hex Screws (G)** firmly.

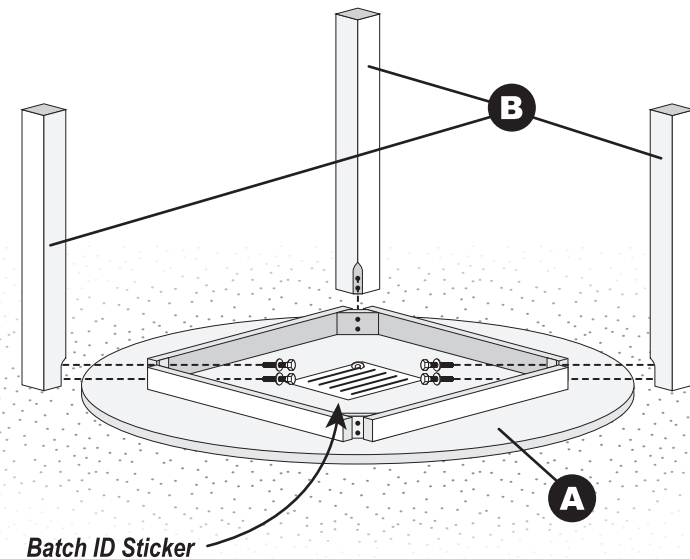
Install the **Screw Covers (H)** into the recessed holes to cover the Hex Screws on **Left/Right Side Frames (A1/A2)** with Rubber Mallet or Hammer.



6 Install Table Legs to Table Top

Place the **Table Top (A)** upside-down on a protected surface. Install the **Table Legs (B)** to each corner of the table crossbars with the **Washers / Bolts (C1/C2)** as shown, using the Open-Ended Wrench. Tighten Firmly.

Note: The final leg is not shown for illustration purposes.



CAUTION:

- Do not allow children to climb on chair.
- Do not use as a ladder or step.

Care and Cleaning

Clean wood with a damp cloth or sponge using warm water and mild soap. Wipe dry.

Do not place near heat, moisture or vaporizer which may cause wood to warp and peel.

Check for loose or worn parts periodically and tighten or replace as necessary.



We appreciate your purchase of the 30" Round Table + two 12" Ladderback Chairs. ECR4KIDS® has made every effort to supply a quality product that with proper use and care, will provide many years of trouble-free use.

If you experience any difficulties with this product, please email us at ecrcs@ecr4kids.com or call toll-free at (855) ECR-4KIDS (Monday - Friday, 7:00am - 4:00pm Pacific Standard Time)

Please do not return to place of purchase as ECR4KIDS® will replace defective part(s) and/or product.



ECR4KIDS® guarantees the quality of all our products. You can trust the quality and safety of our furniture and materials, along with the peace of mind that our products are made to last. If for any reason you are not satisfied with the quality or workmanship of our products, we will replace the item or refund the sale.

**Record the manufacture date here.
Information is located on the Batch ID
sticker and on the shipping carton.
Save this sheet in an accessible place.**

Model Number: ELR-062

Factory Code: CT

Manufacture Date: _____

Batch ID Number: _____
(Located on Part A (Table) / B (Chairs))