

**BEFORE ASSEMBLING, MAKE SURE
THERE ARE NO MISSING PARTS.**

TIP!

**DO NOT FULLY TIGHTEN SCREWS UNTIL ALL
SCREWS HAVE BEEN LOOSELY POSITIONED.**

PARTS LIST

- A1** Left Side Panel
- A2** Right Side Panel
- B** Back Panel
- C** Divider Section
- D** Kick Plate
- E** Hex Head Screw(10)
- F** Hex Key Tool
- G** Phillips Head Screw(4)



NOTE:
A Phillips Head Screwdriver
may be used for
assembly (not included)



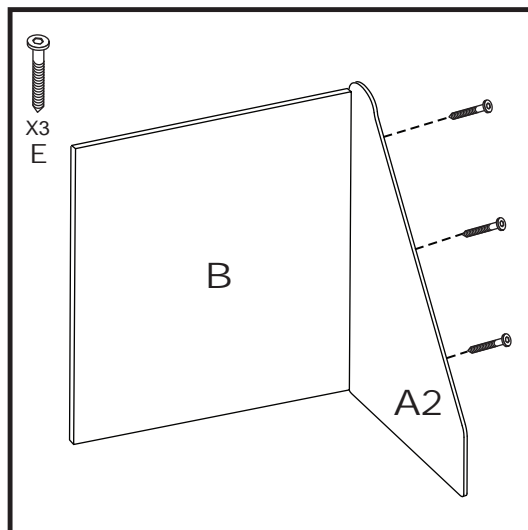
WARNING:

- **Adult Assembly Required.** Two adults recommended.
- Contains small parts, sharp points and edges.
- Do not stand, sit, kneel, climb, lean or pull on unit for support.
- Never leave children unattended.
- Do not place unit near high heat or moisture.
- Adult Supervision Recommended.

If you experience any difficulties with this product, please contact us toll free at 1-888-227-9028 (Monday through Friday, 9:00am to 5:00pm Eastern Time).

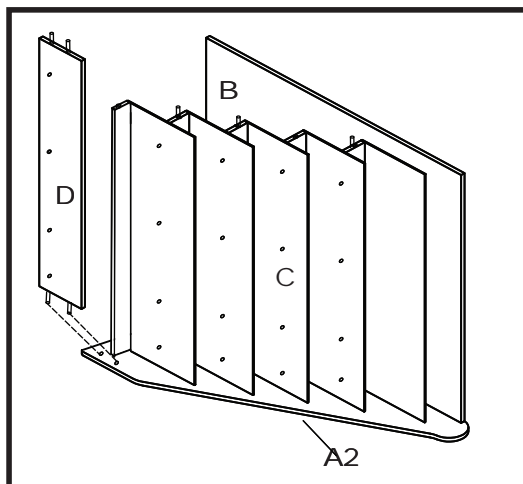
Please do not return to place of purchase as Early Childhood Resources will replace defective parts and/or product.

1 Attach Right Side Panel to Back Panel



1. Attach Right Side Panel(A2) to Back Panel(B) using 3 Hex Head Screws(E). Tighten with Hex Key Tool(F).

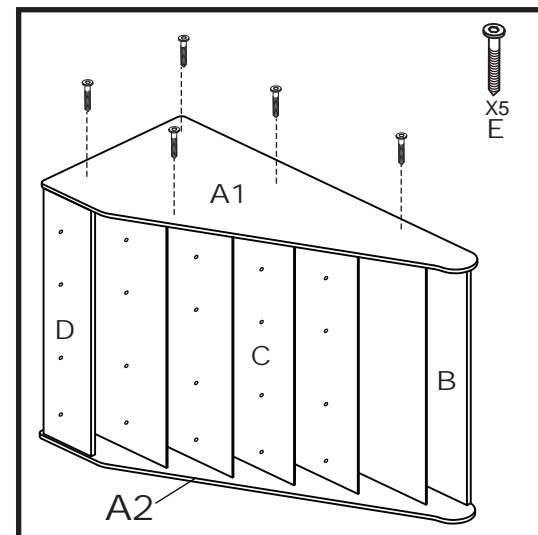
2 Attach the Divider Section to the Right Side Panel



2A. On a carpet or protected surface, carefully lay Right Side Panel(A2) face down as shown.

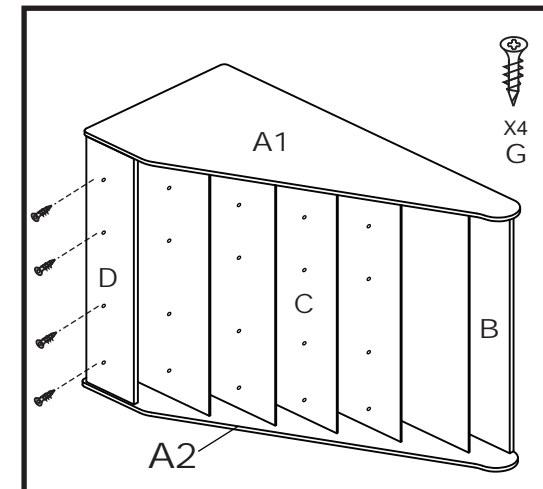
2B. Position the assembled Divider Section(C) and Kick Plate(D) so the pre-installed wooden dowels in the sides enter holes in the Right Side Panel(A2) as shown.

3 Attach Left Side Panel



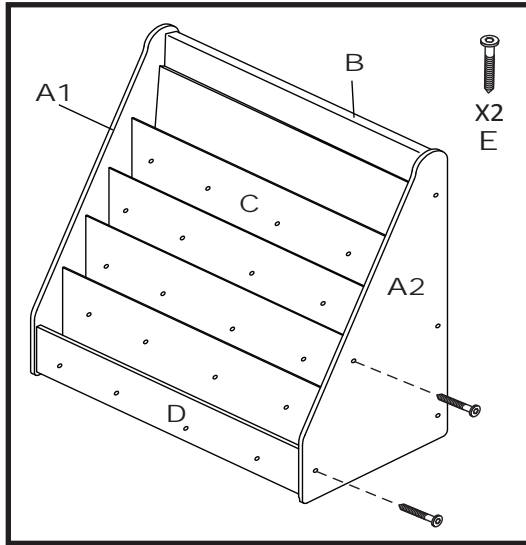
3. Attach Left Side Panel(A1) to the assembled unit, be sure all the pre-installed wooden dowels in left side enter holes in Left Side Panel (A1). Using 5 Hex Head Screws(E), and tighten with Hex Key Tool(F).

4 Attach Kick Plate to Dividers



4. Attach Kick Plate(D) to Divider Section(C) using 4 Phillips Head Screws(G). Tighten with Phillips Head Screwdriver.

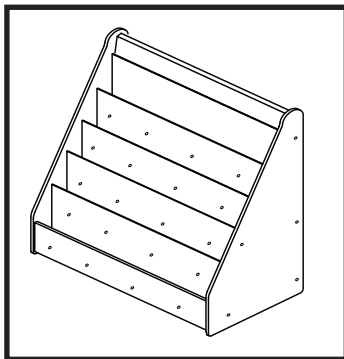
5 Secure Right Side Panel to Divider Section



5A. Carefully turn the unit upright.

5B. Secure Right Side Panel (A2) to Divider Section(C) using the last 2 Hex Head Screws(E) as shown. Tighten with Hex Key Tool(F).

6 You are done!



! CAUTION:

- Do not allow children to climb on shelves.
- Do not use as a ladder, seat or cart.



We appreciate your purchase of the Single Sided Book Display.

Early Childhood Resources® has made every effort to supply a quality product, that with proper use and care, will bring you many years of trouble free use!

Care and Cleaning

Clean wood with a damp cloth or sponge using warm water and mild soap. Wipe dry.

Do not place near heat, moisture or vaporizer which may cause wood to warp and peel.

Check for loose or worn parts periodically and tighten or replace as necessary.



“Early Childhood Resources® guarantees the quality of all of our products. You can trust the quality and safety of our furniture and materials, along with the peace of mind that our products are made to last. If for any reason, you are not satisfied with the quality and workmanship of our products, we will replace the item or refund the sale.”

Record the Purchase Order Number here. Information is located on a label enclosed, and on the shipping carton. Place label and this sheet in an accessible place.

Model Number: ELR-0638

Purchase Order Number: _____