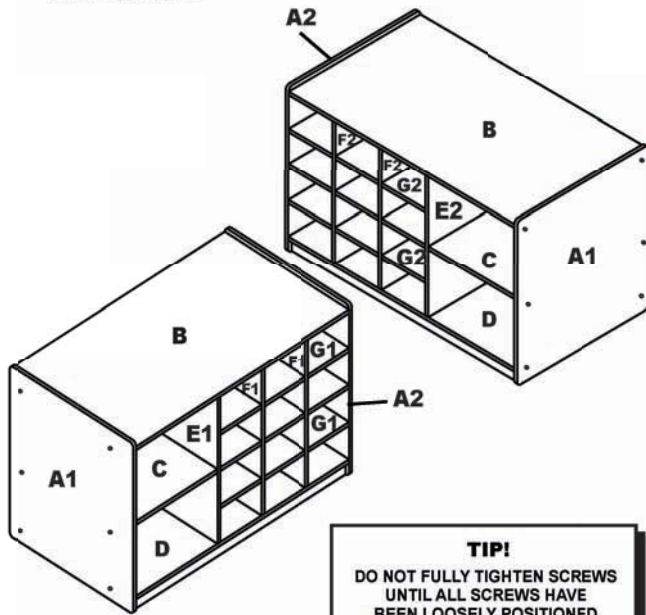


**Double-Wide 12 Tray Cabinet (Laminate)**  
**Model#: ELR-0670**



**PARTS LIST**

- A1** Left Side Panel
- A2** Right Side Panel
- B** Top Shelf
- C** Middle Shelf
- D** Bottom Shelf
- E1** Left Divider #1
- E2** Left Divider #2
- F1** Right Divider #1 (2)
- F2** Right Divider #2 (2)
- G1** Right Middle Shelf #1 (2)
- G2** Right Middle Shelf #2 (2)
- H** Center Divider(2)
- I** Hex Key Tool
- J** Metal Dowel(20)
- K** Cam(20)
- L** Wheel Caster(4)-Optional
- M** Caster Screw(16)
- N** Hex Head Screw(24)

**NOTE:**

A Phillips Head Screwdriver will be needed for assembly (not included)



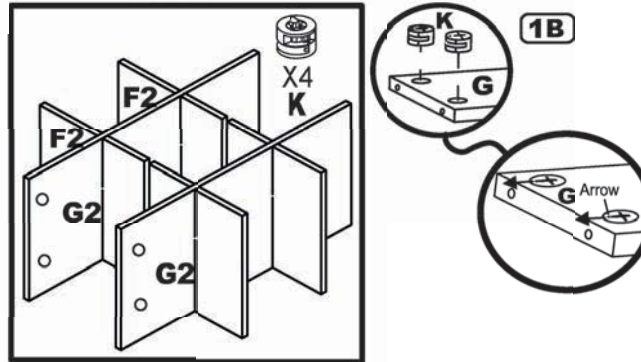
**TIP!**  
 DO NOT FULLY TIGHTEN SCREWS UNTIL ALL SCREWS HAVE BEEN LOOSELY POSITIONED.  
 BEFORE ASSEMBLING, MAKE SURE THERE ARE NO MISSING PARTS.

**WARNING:**

**Adult Assembly Required. Two adults recommended.**  
 - Contains small parts, sharp points and edges.  
 - Do not stand, sit, kneel, climb, lean or pull on unit for support.  
 - Never leave children unattended.  
 - Do not place unit near high heat or moisture.  
 - Adult Supervision Recommended.

If you experience any difficulties with this product, please contact us toll free at 1-888-227-9028 (Monday through Friday, 9:00am to 5:00pm Eastern Time). Please do not return to place of purchase. Early Childhood Resources will replace defective product.

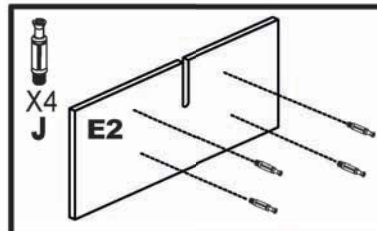
**1 Assemble the First Divider Section**



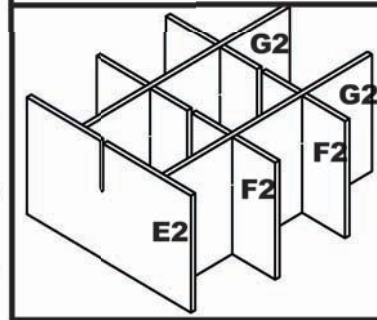
1A. Insert 2 Right Middle Shelves #2(G2) onto 2 Right Dividers #2(F2) as shown until fully inserted into the slots.

1B. Insert 4 Cams(K) into the large holes in the 2 Right Middle Shelves #2(G2). Make sure the arrows on Cams(K) point toward the holes in the closest unfinished edge.

**2 Attach the Left Divider**



2A. Insert 4 Metal Dowels(J) into the plastic plugs located on a Left Divider #2(E2). Tighten with a Phillips Head Screwdriver.



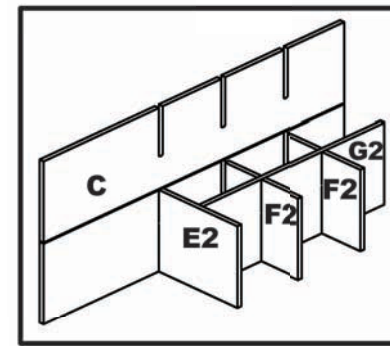
2B. Position Left Divider #2(E2) so the attached Metal Dowels(J) enter holes in the unfinished edge of the 2 Right Middle Shelves #2(G2) as shown. Turn Cams(K) with a Phillips Screwdriver until locked onto the Metal Dowels(J).

**3 Assemble the Second Divider Section**



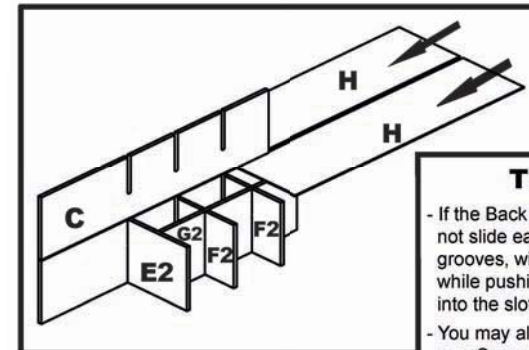
3. Repeat steps 1A, 1B, 2A and 2B to assemble the second divider section, substituting Parts E1, F1, G1 for Parts E2, F2 and G2 above.

**4 Attach the Middle Shelf**



4. Position Middle Shelf(C) into the slots in the first Divider Section(E2, F2) as shown, until fully inserted into slots.

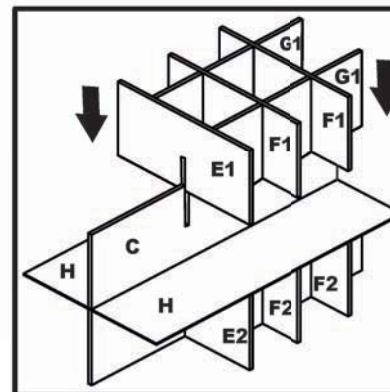
**5 Insert the Center Divider**



5. Slide the 2 Center Dividers(H) into the grooves in the Middle Shelf(C) as shown, fully inserted into the slots.

**TIP:**  
 - If the Back Panel does not slide easily into the grooves, wiggle the Back while pushing the panel into the slot.  
 - You may also turn the rear Cams on the shelf above or below to unlock, push the Back until fully inserted into the slot, then turn Cams to the locked position again.

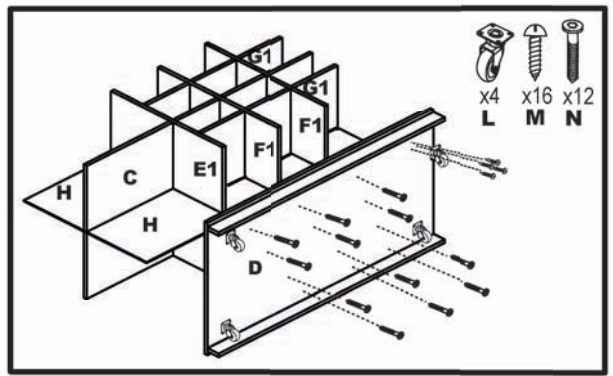
**6 Combine the First and Second Divider Sections**



6A. Two Adults Suggested: Carefully position the second Divider Section(E1,F1,G1) so the slots in Left Divider #1(E1) and 2 Right Dividers #1(F1) align with slots in Middle Shelf(C).

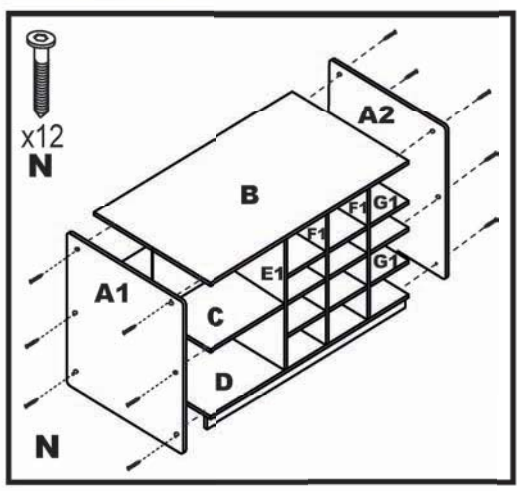
6B. Insert the second Divider Section(E1,F1,G1) onto the assembled unit as shown until fully inserted and the Dividers(E1,F1) are flush against the Center Dividers(H).

**7 Attach the Bottom Shelf and Wheel Casters**



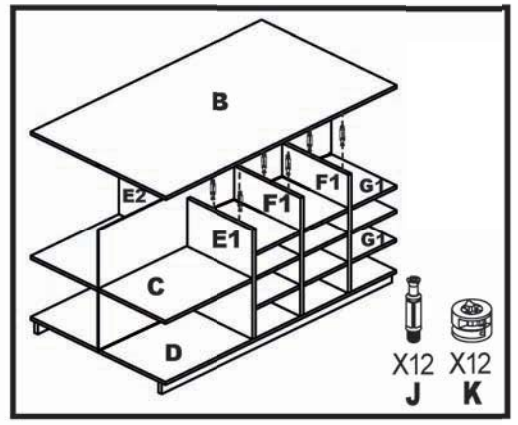
7A. Attach Bottom Shelf(D) to the assembled unit using 12 Hex Head Screws(N). Tighten with the Hex Key Tool(I).  
 7B. Attach 4 Wheel Casters(L) underneath Bottom Shelf(D) with 16 Caster Screws(M), using 4 per Caster(L). Tighten the Caster Screws(M) with a Phillips Head Screwdriver.

**9 Attach the Side Panels and Tighten All Screws**



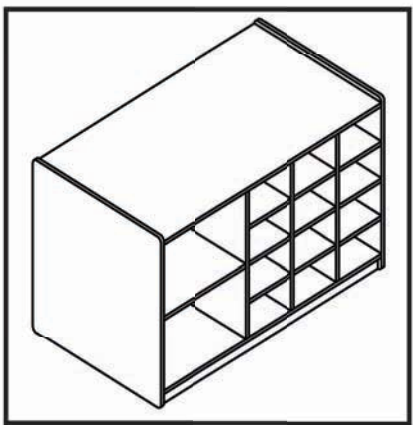
9A. Attach the Left Side Panel(A1) and Right Side Panel(A2) using 6 Hex Head Screws(N) in each. Tighten with the Hex Key Tool(I).  
 9B. Using the Hex Key Tool(I), completely tighten all Screws(N).

**8 Attach the Top Shelf**



8A. **Two Adults Suggested:** Carefully turn the unit upright.  
 8B. Insert 12 Metal Dowels(J) into the plastic plugs located under Top Shelf(B). Tighten with the Phillips Head Screwdriver.  
 8C. Insert 12 Cams(K) into the large holes near the top of the Dividers(E1,E2,F1,F2) on both sides of the unit. Make sure the arrows on Cams(K) point toward holes in the top edges of the boards.  
 8D. **Two Adults Suggested:** Carefully position Top Shelf(B) so the attached Metal Dowels enter holes in the top unfinished edges of Dividers(E1,E2,F1,F2) as shown. Turn the Cams(K) with a Phillips Screwdriver until locked onto Metal Dowels(J).

**10 You are done!**



**CAUTION:**  
 - Do not allow children to climb on shelves.  
 - Do not use as a ladder, seat or cart.



We appreciate your purchase of the Double-Wide 12 Tray Cabinet. Early Childhood Resources® has made every effort to supply a quality product, that with proper use and care, will bring you many years of trouble free use!

**Care and Cleaning**

Clean unit with a damp cloth or sponge using warm water and mild soap. Wipe dry.  
 Do not place near heat, moisture or vaporizer which may cause unit to warp and peel.  
 Check for loose or worn parts periodically and tighten or replace as necessary.



“Early Childhood Resources® guarantees the quality of all of our products. You can trust the quality and safety of our furniture and materials, along with the peace of mind that our products are made to last. If for any reason, you are not satisfied with the quality and workmanship of our products, we will replace the item or refund the sale.”

**Record the Purchase Order Number here. Information is located on a label enclosed, and on the shipping carton. Place label and this sheet in an accessible place.**

**Model Number: ELR-0670**  
**Purchase Order Number: \_\_\_\_\_**