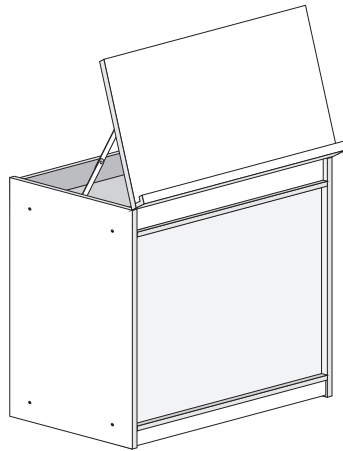




Mt. Laurel, NJ 08054 USA
www.ecr4kids.com

Big Book Display & Storage
Model# ELR-0688, ELR-0689, ELR-0690



⚠ WARNING:

Adult Assembly Required.

- Two adults recommended.
- Contains small parts, sharp points and edges.
- Do not stand, sit, kneel, climb, lean or pull on unit for support.
- Never leave children unattended.
- Do not place unit near high heat or moisture.
- Adult supervision recommended.

TOOLS INCLUDED

Hex Tool (1)



TOOLS NEEDED

Phillips Screwdriver



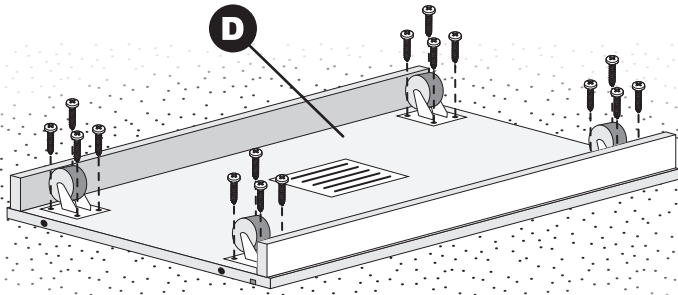
Parts List

BEFORE ASSEMBLING, MAKE SURE YOU HAVE ALL THE PARTS

<p>A Left & Right Side Panels (1/1)</p>	<p>F Activity Panel (1)</p> <p>ELR-0688 : Flannel, ELR-0689 : Chalk, ELR-0690 : Dry-Erase</p>
<p>B Easel Panel (1)</p>	<p>G Dividers (5)</p>
<p>C Upper Shelf (1)</p>	<p>H Hex Screws (8)</p> <p><i>Use the Hex Tool</i></p>
<p>D Bottom Shelf (1)</p> <p><i>Batch ID Sticker located on underside</i></p>	<p>I Locking Hinge & Phillips Screws (2/6)</p> <p><i>Use a Phillips Screwdriver</i></p>
<p>E Upper Crossbars (1/1)</p>	<p>J Cabinet Hinge & Phillips Screws (2/12)</p> <p><i>Use a Phillips Screwdriver</i></p> <p>K Casters & Phillips Screws (4/16)</p> <p><i>Use a Phillips Screwdriver</i></p>

1 Install the Casters (Optional)

Optional: Install the four **Castors (K2)** into the pre-drilled holes on the underside of **Bottom Shelf (D)** with four **Phillips screws (K1)** per caster, using a *Phillips screwdriver*.

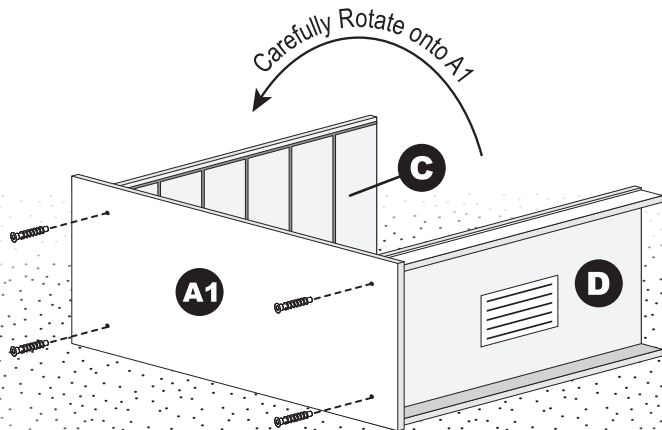


2 Install the Left Side Panel

Install the **Left Side Panel (A1)** onto the **Upper Shelf (C)** and **Bottom Shelf (D)** with four **Hex Screws (H)** using the *Hex Tool*.

Reminder: Make sure that the grooves on **Left Side Panel (A1)** align with the grooves on the **Upper/Bottom Shelves (C/D)**.

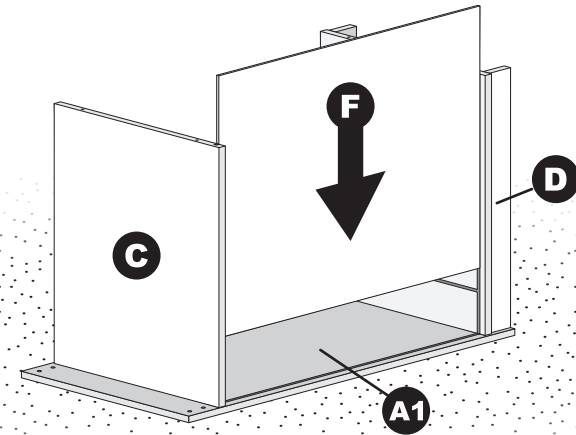
Two Adults Recommended: Carefully rotate the unit onto **Left Side Panel (A1)**.



3 Slide the Activity Panel into Place

Slide the **Activity Panel (F)** into the grooves on the **Upper Shelf (C)** and **Bottom Shelf (D)** as shown, until fully seated into the groove on the inside of the **Left Side Panel (A1)**.

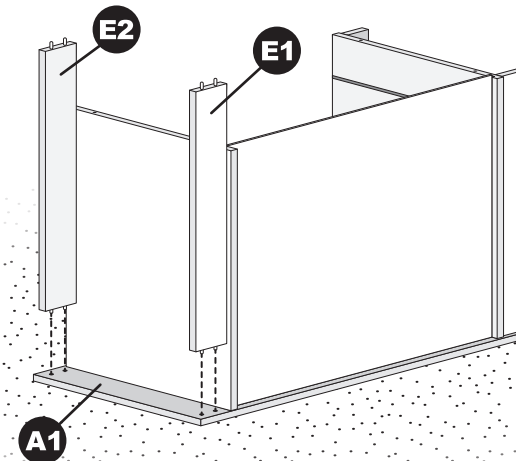
Tip: If the **Activity Panel (F)** do not slide in easily, wiggle the panels while pushing into place.



4 Insert the Upper Crossbars

Insert the pre-installed wooden dowels on **Upper Crossbars (E1/E2)** into the corresponding holes on the inside of **Left Side Panel (A1)**.

Reminder: Make sure that **Upper Crossbar (E1)**, is placed on the front of the unit (side with Activity Panel as shown below), with the pre-drill screw holes facing the inside.



See Next Page

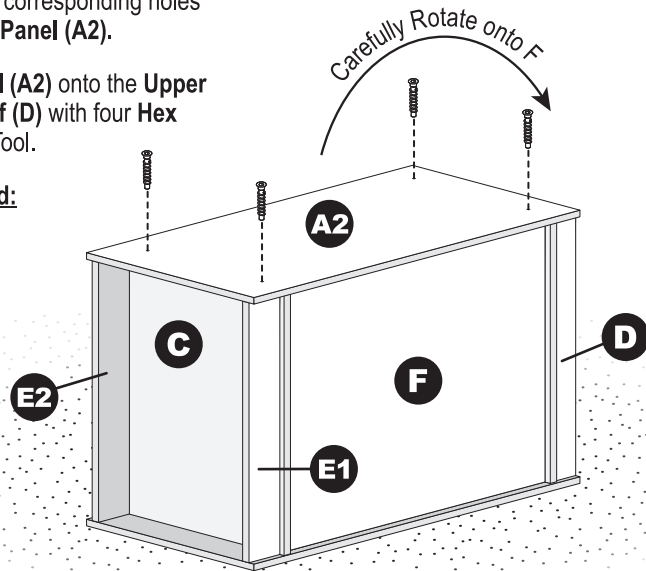
5 Install the Right Side Panel

Insert the pre-installed wooden dowels on **Upper Crossbars (E1/E2)** into the corresponding holes on the inside of **Right Side Panel (A2)**.

Install the **Right Side Panel (A2)** onto the **Upper Shelf (C)** and **Bottom Shelf (D)** with four **Hex Screws (H)** using the Hex Tool.

Two Adults Recommended:

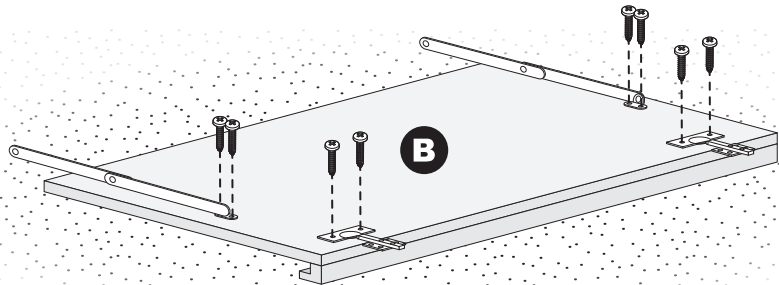
Carefully rotate the unit onto **Activity Panel (F)**.



6 Install the Hinges

Install the **Locking Hinges (I2)** into the pre-drilled holes on the inside of the **Easel Panel (B)** as shown with the mounting tabs facing each other, with four **Phillips Screws (I1)** using a Phillips screwdriver.

Install the **Cabinet Hinges (J2)** into the large recessed holes on the inside of the **Easel Panel (B)** as shown, with four **Phillips Screws (J1)** using a Phillips screwdriver.

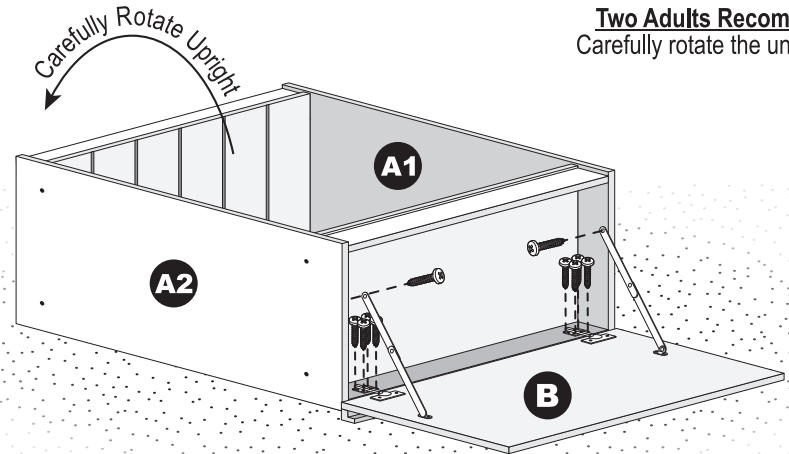


7 Install the Easel onto Cabinet

Install the **Easel Panel (B)** onto the **Upper Crossbar (E1)** with eight **Phillips Screws (J1)** using a Phillips screwdriver.

Complete the installation of the **Locking Hinges (I2)** into the pre-drilled holes on the inside of the **Left/Right Side Panels (A1/A2)** as shown, with two **Phillips Screws (I1)** using a Phillips screwdriver. **Note: Easel Panel (B)** will need to be lifted upward for the holes to align.

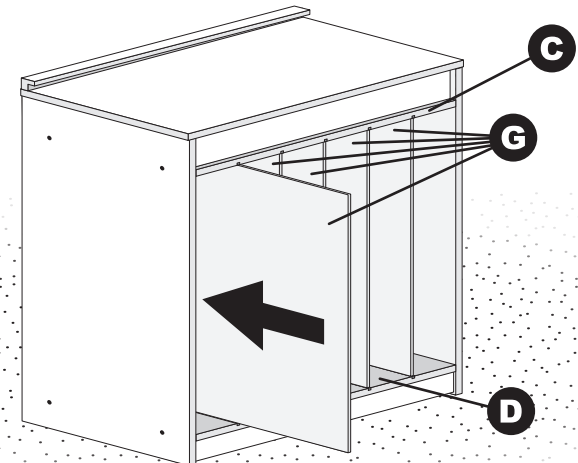
Two Adults Recommended:
Carefully rotate the unit upright.



8 Slide the Dividers into Place

Slide the **Dividers (G)** into the grooves on the **Upper Shelf (C)** and **Bottom Shelf (D)** as shown, until fully seated against the inside of the **Activity Panel (F)**.

Tip: If the Dividers (G) do not slide in easily, wiggle the panels while pushing into place.





We appreciate your purchase of the Big Book Easel with Storage. ECR4KIDS® has made every effort to supply a quality product that with proper use and care, will provide many years of trouble-free use.

If you experience any difficulties with this product, please email us at ecrcs@ecr4kids.com or call toll-free at (855) ECR-4KIDS (Monday - Friday, 7:00am - 4:00pm Pacific Standard Time)

Please do not return to place of purchase as ECR4KIDS® will replace defective part(s) and/or product.



ECR4KIDS® guarantees the quality of all our products. You can trust the quality and safety of our furniture and materials, along with the peace of mind that our products are made to last. If for any reason you are not satisfied with the quality or workmanship of our products, we will replace the item or refund the sale.

Care and Cleaning

Clean wood with a damp cloth or sponge using warm water and mild soap. Wipe dry.

Do not place near heat, moisture or vaporizer which may cause wood to warp and peel.

Check for loose or worn parts periodically and tighten or replace as necessary.

Record the manufacture date here. Information is located on the Batch ID sticker and on the shipping carton.
Save this sheet in an accessible place.

Model Number: ELR-0688, ELR-0689, ELR-0690
(circle one)

Factory Code: D

Manufacture Date: _____

Batch ID Number: _____
(Located on Part D)