

**24" & 30" Square Hardwood Table**

**Model #: ELR-069, ELR-070,  
ELR-071 and ELR-072**

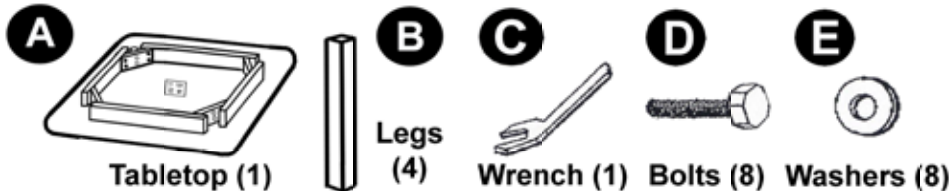
**TIP!**  
DO NOT FULLY TIGHTEN  
SCREWS UNTIL ALL  
SCREWS HAVE BEEN  
LOOSELY POSITIONED.

**BEFORE  
ASSEMBLING,  
MAKE SURE THERE  
ARE NO MISSING  
PARTS.**

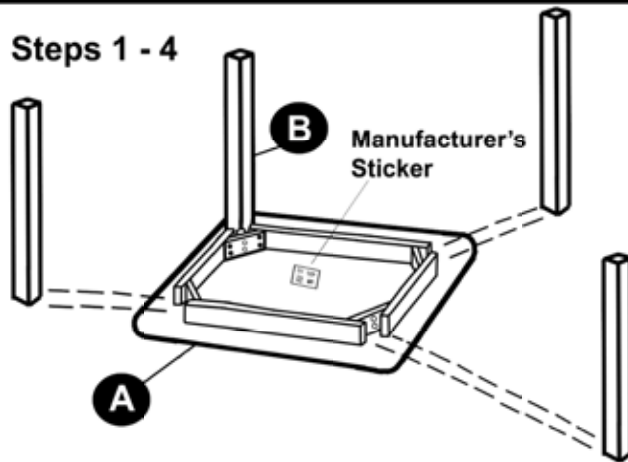
If you experience any difficulties with this product, please contact us toll free at 1-888-227-9028 (Monday through Friday, 9:00am to 5:00pm EST).

Please do not return to place of purchase as Early Childhood Resources will replace defective parts and/or product.

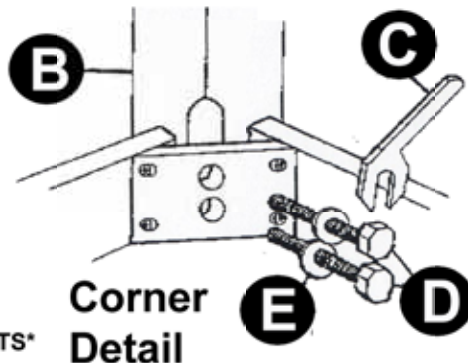
**Table Parts & Quantity**



**Steps 1 - 4**



1. Put table on flat surface with Tabletop facing down.
2. Fit Legs into corners with holes facing inward.
3. Place Washers onto the Bolts, then insert the bolts through table brackets into Leg holes (see "Corner Detail"). Tighten lightly.
4. Turn Table over and straighten Legs.
5. Fully tighten all bolts securely.  
\* DO NOT OVER-TIGHTEN BOLTS\*



**! WARNING:**

- Contains small parts, sharp points and edges.
- Adult Assembly Required. Two adults recommended.
- Do not stand, kneel, climb, lean or pull on unit for support.
- Never leave children unattended.
- Do not place unit near high heat or moisture.
- Adult Supervision Recommended.
- Use only on a firm, flat surface with all legs directly touching the floor.

We appreciate your purchase of the Square Hardwood Table. Early Childhood Resources has made every effort to supply a quality product, that with proper use and care, will bring you many years of trouble free use!

**Care and Cleaning**

Clean wood with a damp cloth or sponge using warm water and mild soap. Wipe dry.  
Do not place near heat, moisture or vaporizer which may cause wood to warp and peel.  
Check for loose or worn parts periodically and tighten or replace as necessary.



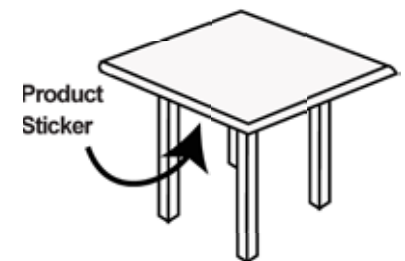
"Early Childhood Resources® guarantees the quality of all of our products. You can trust the quality and safety of our furniture and materials, along with the peace of mind that our products are made to last. If for any reason, you are not satisfied with the quality & workmanship of our products, we will replace the item or refund the sale."

Record the Model #, Batch ID & Factory Code from your shipping carton on the lines below. This information will also be found on the Product Sticker on the unit. Place this sheet in an accessible place for future reference.

Model Number: **ELR-069** **ELR-070** **ELR-071** **ELR-072**  
(Circle one)

Batch ID: \_\_\_\_\_

Factory Code: "CT"



**24" & 30" Square Hardwood Table**  
Model #: ELR-069, ELR-070,  
ELR-071 and ELR-072

**! WARNING:**

- Contains small parts, sharp points and edges.
- **Adult Assembly Required.** Two adults recommended.
- Do not stand, kneel, climb, lean or pull on unit for support.
- Never leave children unattended.
- Do not place unit near high heat or moisture.
- Adult Supervision Recommended.
- Use only on a firm, flat surface with all legs directly touching the floor.

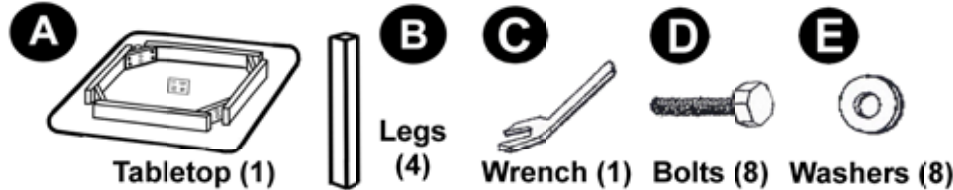
**TIP!**  
DO NOT FULLY TIGHTEN  
SCREWS UNTIL ALL  
SCREWS HAVE BEEN  
LOOSELY POSITIONED.

**BEFORE  
ASSEMBLING,  
MAKE SURE THERE  
ARE NO MISSING  
PARTS.**

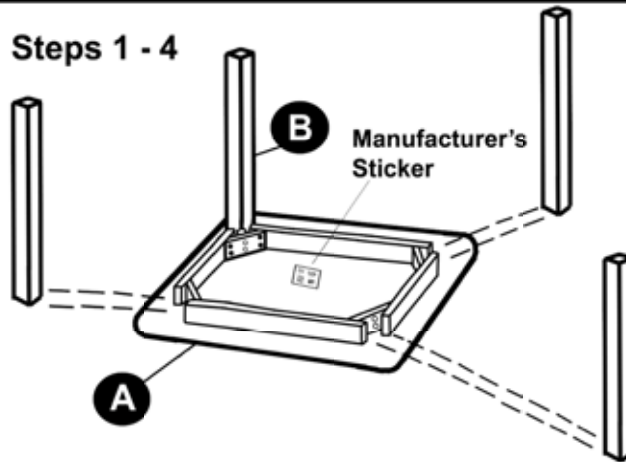
If you experience any difficulties with this product, please contact us toll free at 1-888-227-9028 (Monday through Friday, 9:00am to 5:00pm EST).

Please do not return to place of purchase as Early Childhood Resources will replace defective parts and/or product.

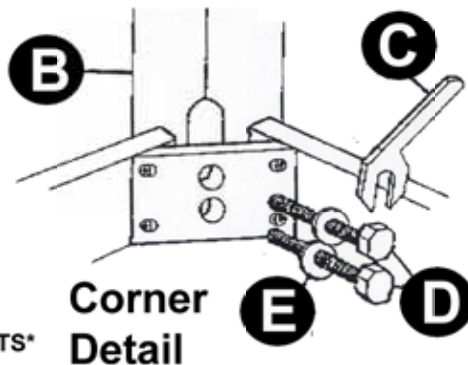
**Table Parts & Quantity**



**Steps 1 - 4**



1. Put table on flat surface with Tabletop facing down.
2. Fit Legs into corners with holes facing inward.
3. Place Washers onto the Bolts, then insert the bolts through table brackets into Leg holes (see "Corner Detail"). Tighten lightly.
4. Turn Table over and straighten Legs.
5. Fully tighten all bolts securely.  
\* DO NOT OVER-TIGHTEN BOLTS\*



We appreciate your purchase of the Square Hardwood Table. Early Childhood Resources has made every effort to supply a quality product, that with proper use and care, will bring you many years of trouble free use!

**Care and Cleaning**

Clean wood with a damp cloth or sponge using warm water and mild soap. Wipe dry.  
Do not place near heat, moisture or vaporizer which may cause wood to warp and peel.  
Check for loose or worn parts periodically and tighten or replace as necessary.



**QUALITY SATISFACTION GUARANTEED**

“Early Childhood Resources® guarantees the quality of all of our products. You can trust the quality and safety of our furniture and materials, along with the peace of mind that our products are made to last. If for any reason, you are not satisfied with the quality & workmanship of our products, we will replace the item or refund the sale.”

Record the Model #, Batch ID & Factory Code from your shipping carton on the lines below. This information will also be found on the Product Sticker on the unit. Place this sheet in an accessible place for future reference.

Model Number: **ELR-069** **ELR-070** **ELR-071** **ELR-072**  
(Circle one)

Batch ID: \_\_\_\_\_

Factory Code: **“CT”**

