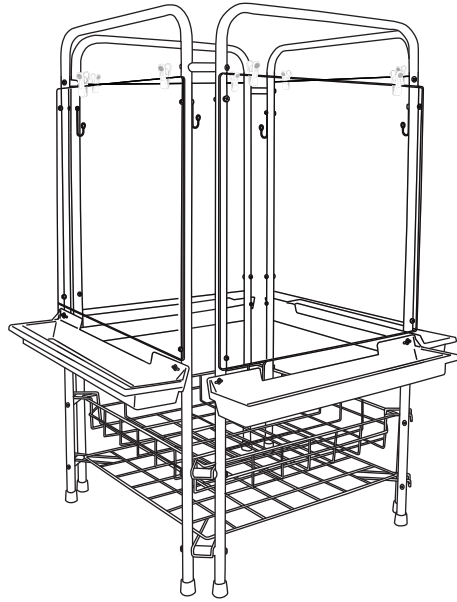




San Diego, CA 92110 USA
www.ecr4kids.com

**4-Station See-Thru Art Easel
with Storage & Drying Racks**
Model# ELR-0731



! WARNING:

Adult Assembly Required.

Two adults recommended.

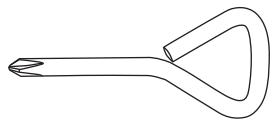
- Contains small parts, sharp points and edges.
- Do not stand, sit, kneel, climb, lean or pull on unit for support.
- Never leave children unattended.
- Do not place unit near high heat or moisture.
- Adult supervision recommended.

! CAUTION:

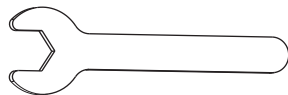
- Do not allow children to climb on art easel.
- Do not use as a ladder.

TOOLS INCLUDED

+ **Screwdriver**

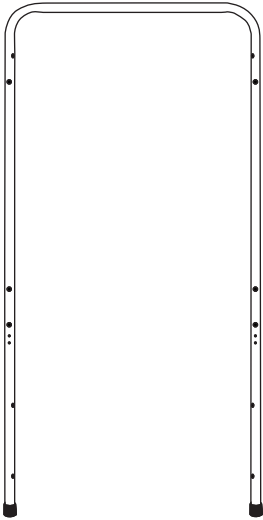
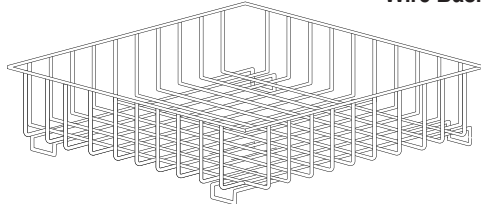
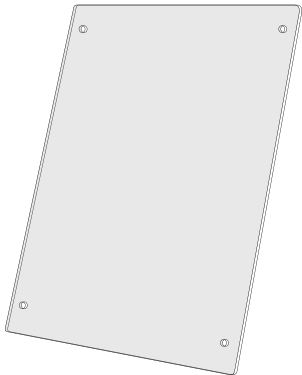
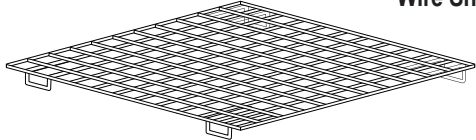
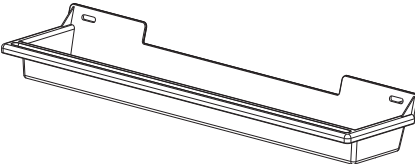
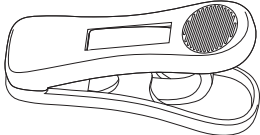

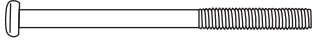


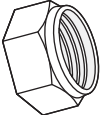

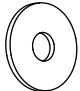

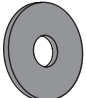
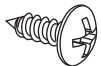


● **10mm Wrench**



Parts List

BEFORE ASSEMBLING, MAKE SURE YOU HAVE ALL THE PARTS

<p>A Easel Frame (4)</p> 	<p>D Wire Basket (1)</p> 
<p>B Acrylic Sheet (4)</p> 	<p>E Wire Shelf (1)</p> 
<p>C Easel Tray (4)</p> 	<p>F Easel Clip (8)</p> 
<p>G Apron Screw (4)</p>  <p>40mm</p>	<p>L Brace Screw (12)</p>  <p>100mm</p>
<p>H Screw (20)</p>  <p>35mm</p>	<p>M Apron Hook (4)</p> 
<p>I Nut (36)</p> 	<p>N Brace (12)</p>  <p>Batch ID Sticker located on a brace</p>
<p>J Metal Washer (60)</p> 	<p>O Mounting Wedge (8)</p> 
<p>K Plastic Washer (40)</p> 	<p>P Mounting Wedge Screw (16)</p>  <p>12mm</p>

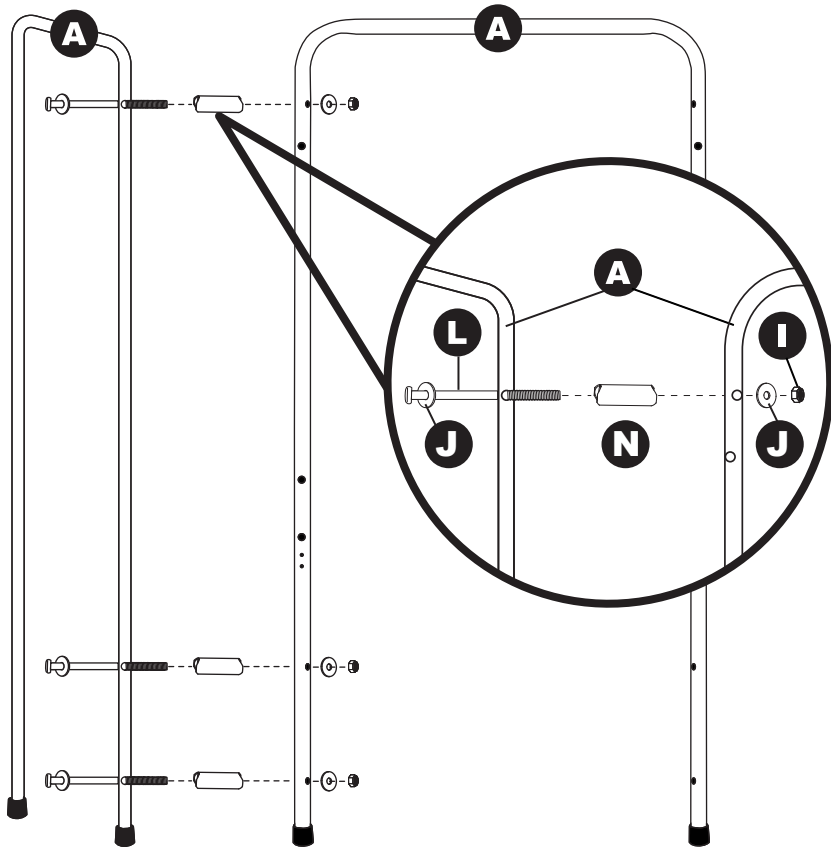
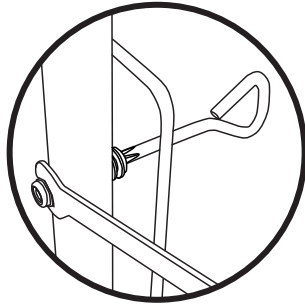
1 Build Easel Frame

Attach the Easel Frames (A) with Brace Screws (L), Metal Washers (J), Braces (N) and Nuts (I).

Tip #1: Connect the screws & nuts loosely at first. Once all screws have been installed correctly, tighten securely.

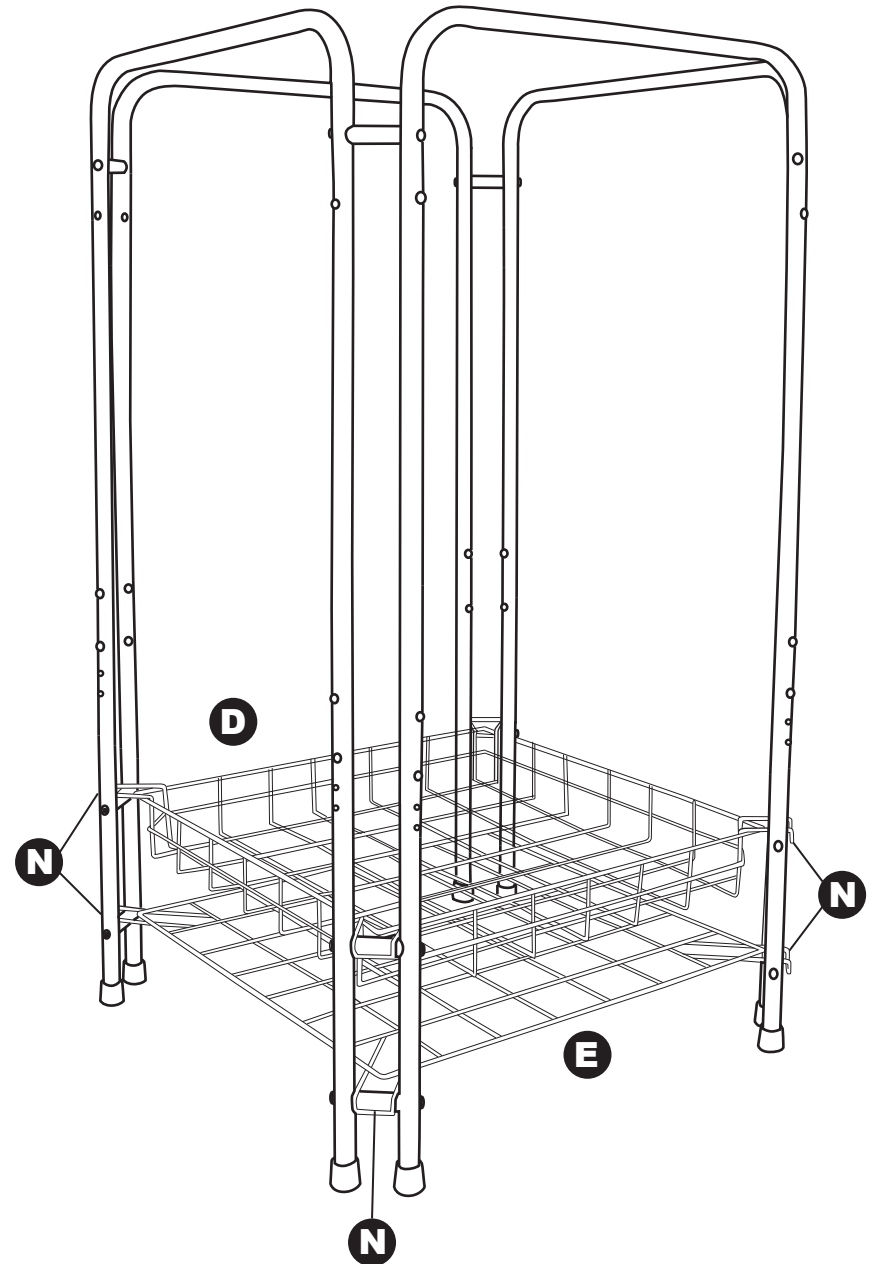
Tip #2: For the nuts to function properly, the plastic ends should face away from the frame.

Tip #3: Using the wrench, hold the nut in place while tightening the screw with a screwdriver.



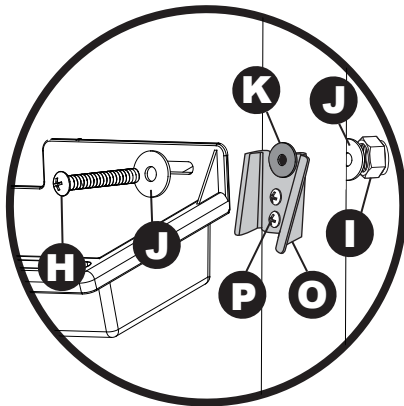
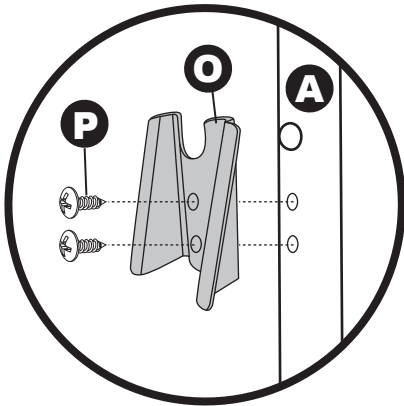
2 Install Wire Basket & Wire Shelf

Place the Wire Basket (D) & Wire Shelf (E) onto the bottom Braces (N).

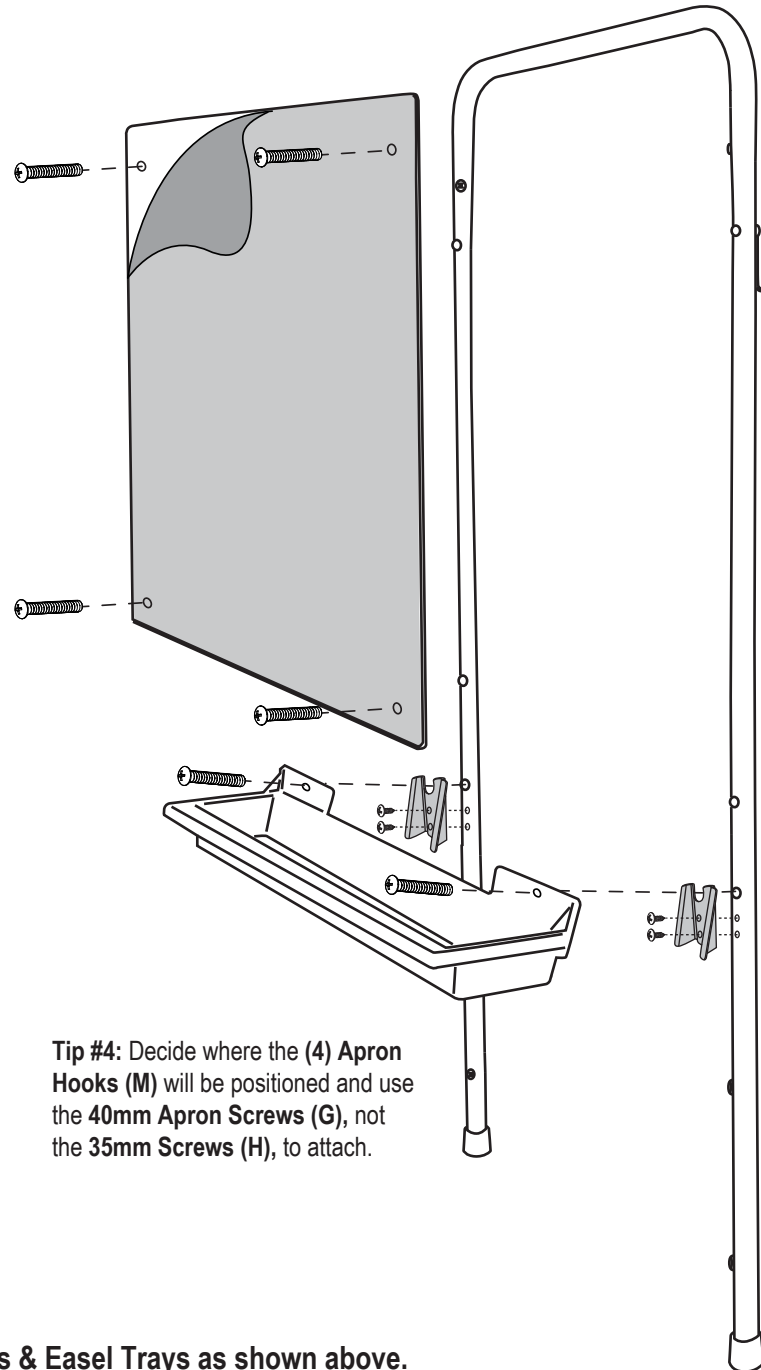


Attach Easel Trays

Attach the **Mounting Wedges (O)** to the **Easel Frames (A)** with **Mounting Wedge Screws (P)**. Place the back of the **Easel Tray (C)** against the **Mounting Wedges (P)** and attach the Easel Tray to the **Easel Frame (A)**.



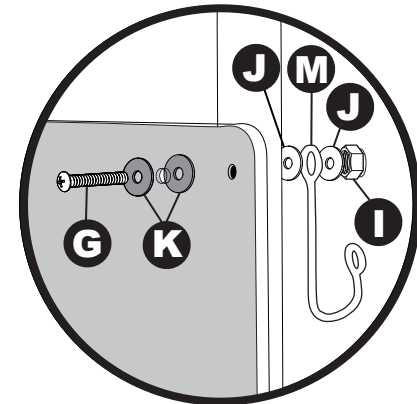
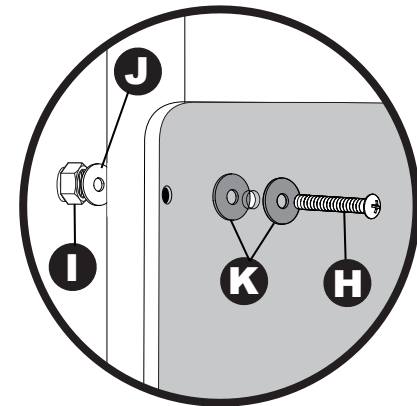
Assemble the Apron Hooks, Acrylic Sheets & Easel Trays as shown above.
(Repeat assembly on remaining 3 sides.)



Tip #4: Decide where the (4) **Apron Hooks (M)** will be positioned and use the **40mm Apron Screws (G)**, not the **35mm Screws (H)**, to attach.

Attach Acrylic Sheets and Apron Hooks

Carefully remove protective paper from **Acrylic Sheets (B)**. Attach an **Acrylic Sheet (B)** to the **Easel Frame (A)** with **Screws (H)**, **Plastic Washers (K)**, **Metal Washers (J)** and **Nuts (I)**. The plastic washers should sandwich the acrylic sheet.



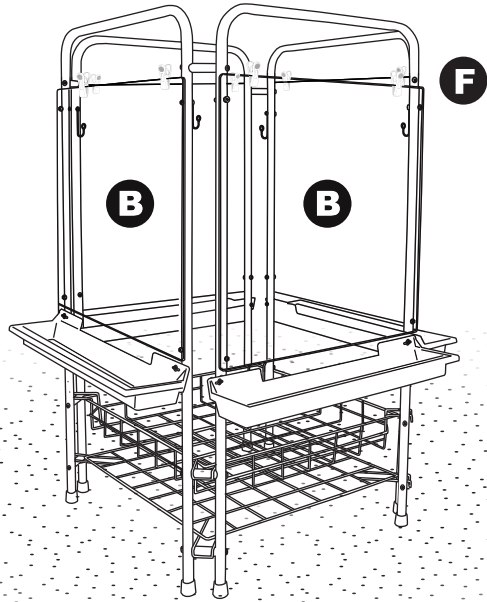
Attach an **Apron Hook (M)** to the **Easel Frame (A)** with a **Screw (G)**, 2 **Plastic Washers (K)**, 2 **Metal Washers (J)** & a **Nut (I)**.

4

Attach Easel Clips

Attach the **Easel Clips (F)** to the top edge of the **Acrylic Sheet (B)**.

The Art Easel is now ready for use!



Care and Cleaning

Clean unit with a soft cloth or sponge using mild soap and water.

Always clean thoroughly and do not allow solution to remain on the acrylic for an extended period of time.

Do not use abrasive, ammonia, or other harsh chemicals to clean.

If unsure, always test a small area before applying to the entire acrylic surface.

Do not place near heat, moisture or vaporizer which may cause easel to warp.

Check for loose or worn parts periodically and tighten or replace as necessary.



We appreciate your purchase of the 4-Station See-Thru Art Easel with Storage & Drying Racks. Early Childhood Resources® has made every effort to supply a quality product, that with proper use and care, will bring you many years of trouble free use!

If you experience any difficulties with this product, please email us at customerservice@ecr4kids.com or call toll-free at (888) 227-9028 (Monday - Friday, 7:00am - 4:00pm Pacific Standard Time)

Please do not return to place of purchase as Early Childhood Resources will replace defective part(s) and/or product.



“Early Childhood Resources® guarantees the quality of all of our products. You can trust the quality and safety of our furniture and materials, along with the peace of mind that our products are made to last. If for any reason, you are not satisfied with the quality and workmanship of our products, we will replace the item or refund the sale.”

Record the manufacture date here.
Information is located on the Batch ID sticker and on the shipping carton.
Save this sheet in an accessible place.

Model Number: ELR-0731

Factory Code: F

Manufacture Date: _____

Batch ID Number: _____
(Located on Part N)

