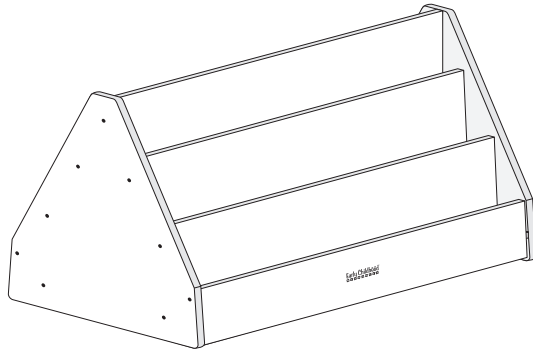


Double-Sided Mobile Toddler Book Display Model# ELR-0739



! WARNING:

Adult Assembly Required.

- Two adults recommended.
- Contains small parts, sharp points and edges.
- Do not stand, sit, kneel, climb, lean or pull on unit for support.
- Never leave children unattended.
- Do not place unit near high heat or moisture.
- Adult supervision recommended.

TOOLS INCLUDED

- Hex Tool (1)



TOOLS NEEDED

- Phillips Screwdriver

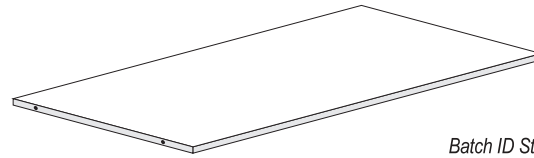


Parts List

BEFORE ASSEMBLING, MAKE SURE YOU HAVE ALL THE PARTS

A

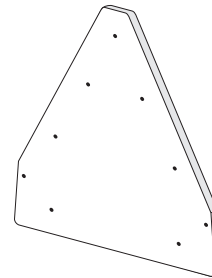
Bottom Panel (1)



*Batch ID Sticker
located on underside*

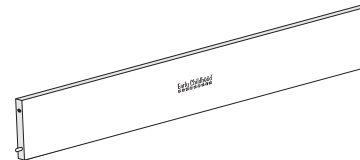
B

Side Panels (2)



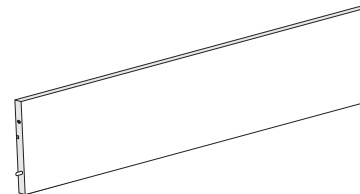
C

Front Panels (2)



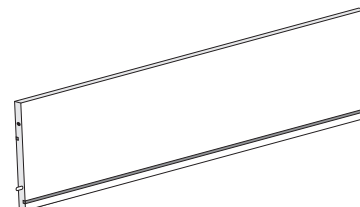
D

Lower Dividers (2)



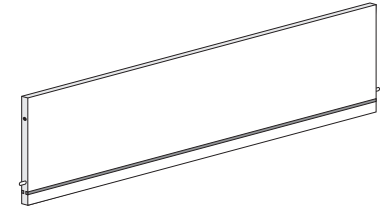
E

Upper Dividers (2)



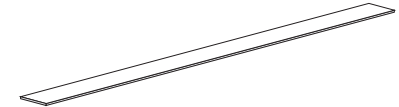
F

Center Dividers (2)



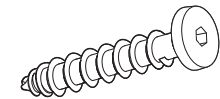
G

Book Shelves (4)



H

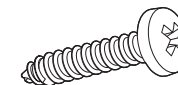
Decorative Hex Screws (18)



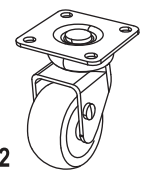
*Use the
Hex Tool.*

I

Phillips Screws & Casters (16/4)



11

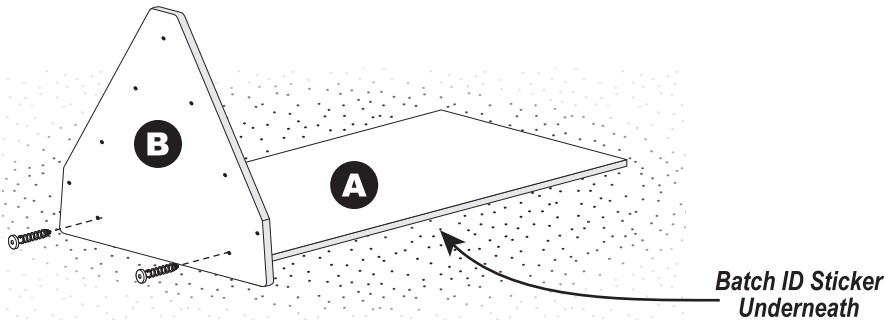


12

*Use a Phillips
Screwdriver.*

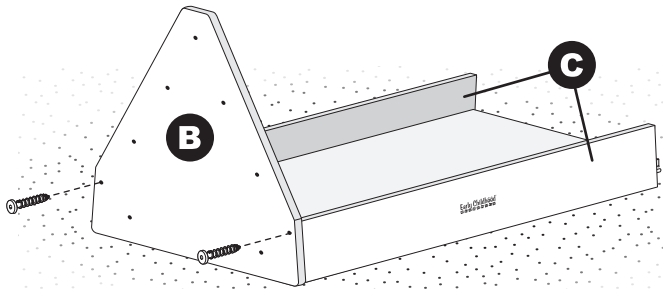
1 Install the Bottom Panel

Install the **Bottom Panel (A)** onto the left **Side Panel (B)** with two **Decorative Hex Screws (H)** using the Hex Tool.



2 Install the Front Panels

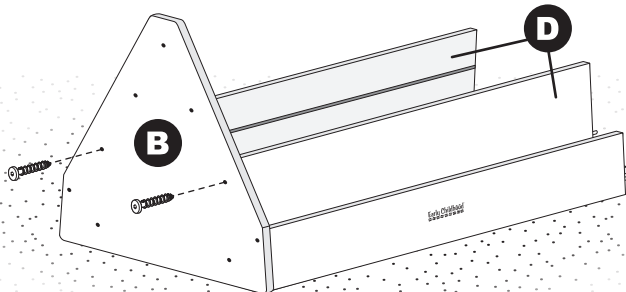
Install the **Front Panels (C)** onto the left **Side Panel (B)** with two **Decorative Hex Screws (H)** using the Hex Tool.



Reminder: Make sure the pre-installed wood dowels on the ends of the **Front Panel** enter the holes on the inside of the **Side Panel** before final tightening.

3 Install the Lower Dividers

Install the **Lower Dividers (D)** onto the left **Side Panel (B)** with two **Decorative Hex Screws (H)** using the Hex Tool, so that the grooves are facing each other as shown.



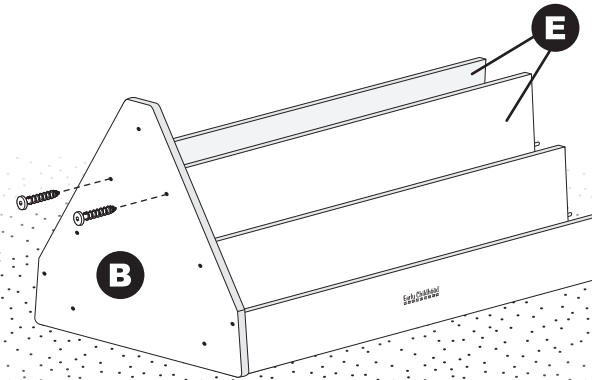
Reminder: Make sure the pre-installed wood dowels on the ends of the **Lower Dividers** enter the holes on the inside of the **Side Panel** before final tightening.

4 Install the Upper Dividers

Install the **Upper Dividers (E)** onto the left **Side Panel (B)** with two **Decorative Hex Screws (H)** using the Hex Tool.

Note: The lower grooves on the **Upper Dividers** should align with those on the **Lower Dividers**.

Reminder: Make sure the pre-installed wood dowels on the ends of the **Upper Dividers** enter the holes on the inside of the **Side Panel** before final tightening.



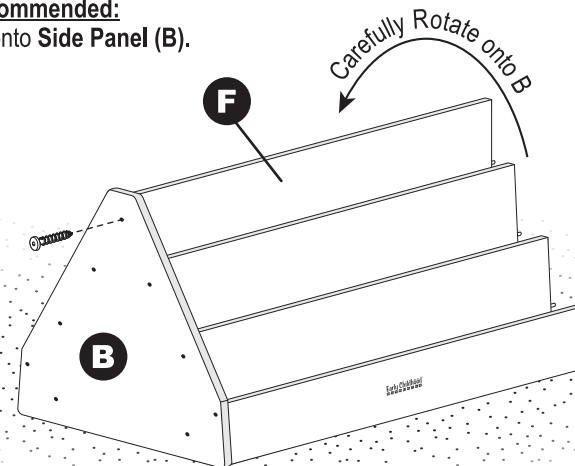
5 Install the Center Divider

Install the **Center Divider (F)** onto the left **Side Panel (B)** with one **Decorative Hex Screws (H)** using the Hex Tool.

Reminder: Make sure the pre-installed wood dowels on the ends of the **Center Divider** enter the holes on the inside of the **Side Panel** before final tightening.

Two Adults Recommended:

Carefully rotate onto **Side Panel (B)**.



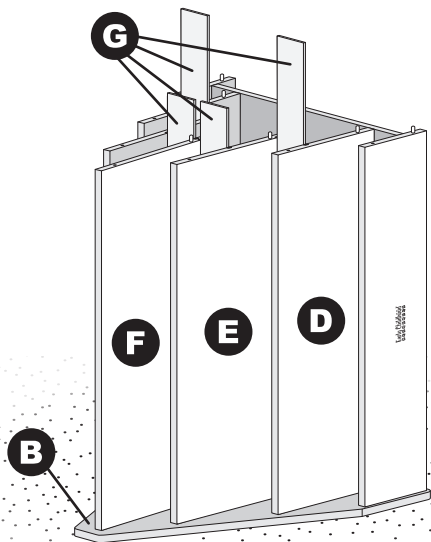
See Next Page

6

Insert the Book Shelves

Slide the **Book Shelves (G)** into the grooves on the **Center Divider (F)** and **Upper/Lower Dividers (E/D)** as shown, until fully seated against the inside of the left **Side Panel (B)**.

Tip: If the Book Shelves do not slide in easily, wiggle the panels while pushing into place.



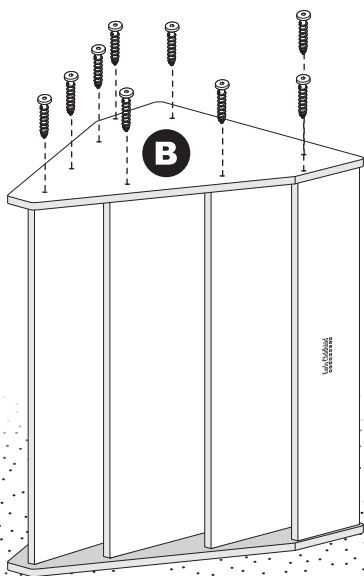
7

Install the Remaining Side Panel

Install the right **Side Panel (B)** onto all the other panels with nine **Decorative Hex Screws (H)** using the Hex Tool.

Reminder: Make sure the pre-installed wood dowels on the ends of the Front Panels & Dividers enter the holes on the inside of the Side Panel before final tightening.

*Optional: Install the four **Castors (I2)** into the pre-drilled holes on the underside of the Bottom Shelf, with four **Phillips screws (I1)** per caster, using a **Phillips screwdriver**.*



Early Childhood[®]
RESOURCES

We appreciate your purchase of the Double-Sided Mobile Toddler Book Display. Early Childhood Resources has made every effort to supply a quality product, that with proper use and care, will bring you many years of trouble free use!

If you experience any difficulties with this product, please email us at customerservice@ecr4kids.com or call toll-free at (888) 227-9028 (Monday - Friday, 7:00am - 4:00pm Pacific Standard Time)

Please do not return to place of purchase as Early Childhood Resources will replace defective part(s) and/or product.



"Early Childhood Resources® guarantees the quality of all of our products. You can trust the quality and safety of our furniture and materials, along with the peace of mind that our products are made to last. If for any reason, you are not satisfied with the quality and workmanship of our products, we will replace the item or refund the sale."

Care and Cleaning

Clean unit with a damp cloth or sponge using warm water and mild soap. Wipe dry.

Do not place near heat, moisture or vaporizer which may cause panels to warp and peel.

Check for loose or worn parts periodically and tighten or replace as necessary.

Record the manufacture date here. Information is located on the Batch ID sticker and on the shipping carton. Save this sheet in an accessible place.

Model Number: ELR-0739

Factory Code: D

Manufacture Date: _____

Batch ID Number: _____
(Located on Part A)