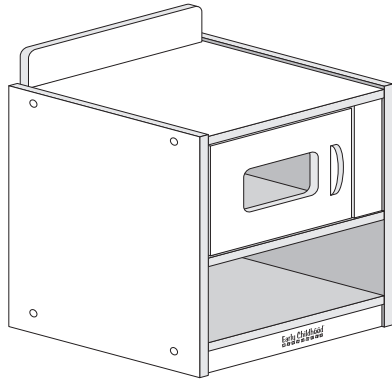


Colorful Essentials Microwave Oven Model# ELR-0749



⚠️ WARNING:

Adult Assembly Required.

Two adults recommended.

- Contains small parts, sharp points and edges.
- Do not stand, sit, kneel, climb, lean or pull on unit for support.
- Never leave children unattended.
- Do not place unit near high heat or moisture.
- Adult supervision recommended.

TOOLS INCLUDED

- Hex Tool (1)



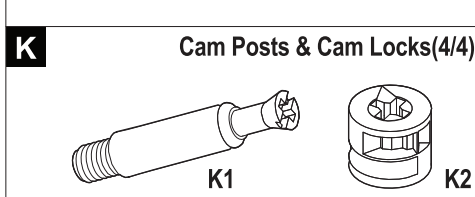
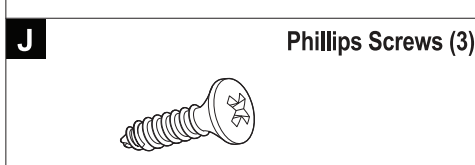
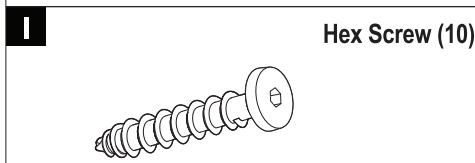
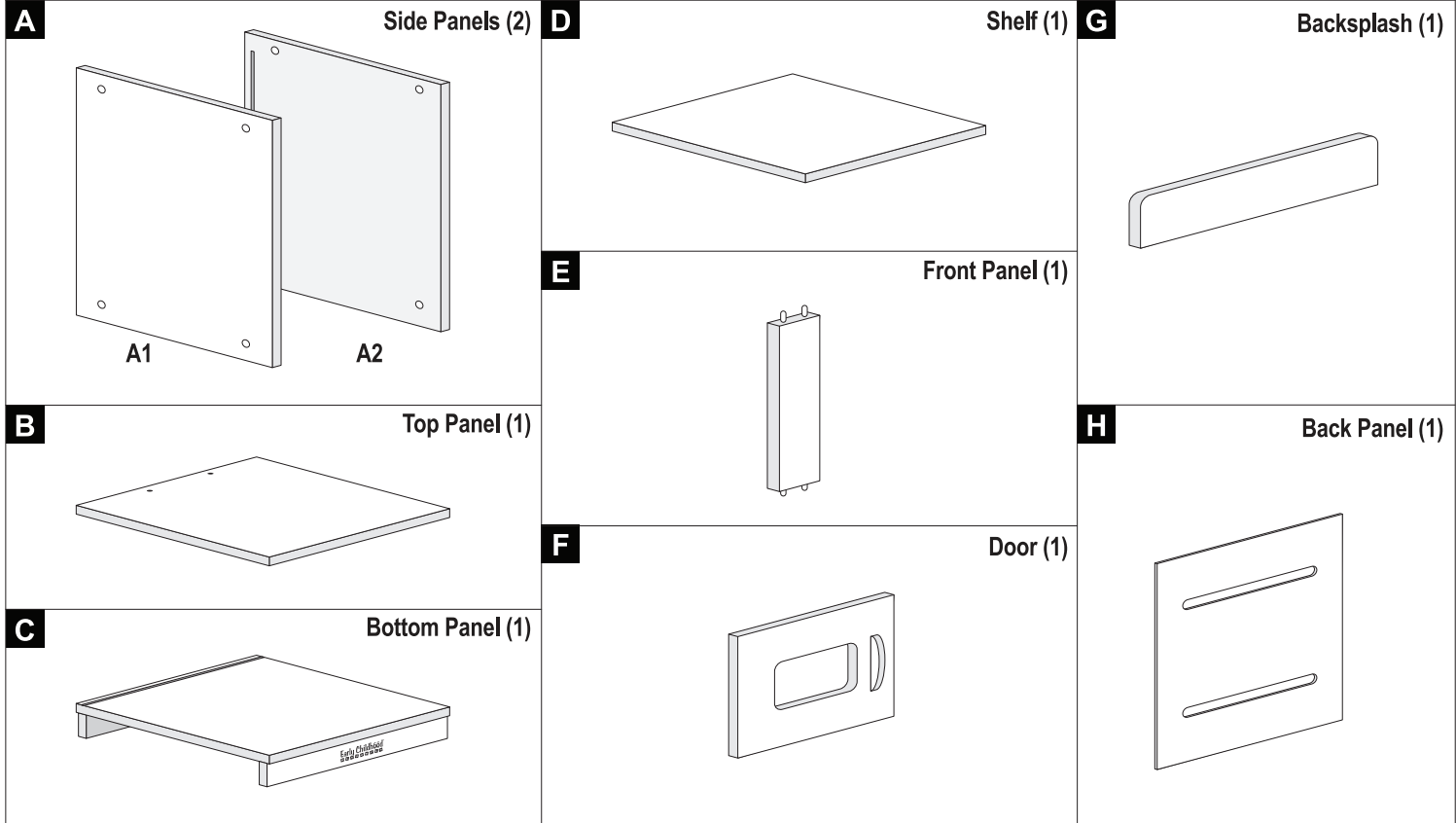
TOOLS NEEDED

- Phillips Screwdriver

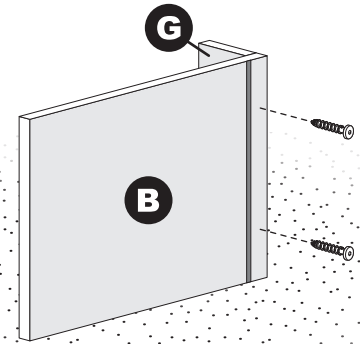


Parts List

BEFORE ASSEMBLING, MAKE SURE YOU HAVE ALL THE PARTS



1 Install the Backsplash to the Top Panel

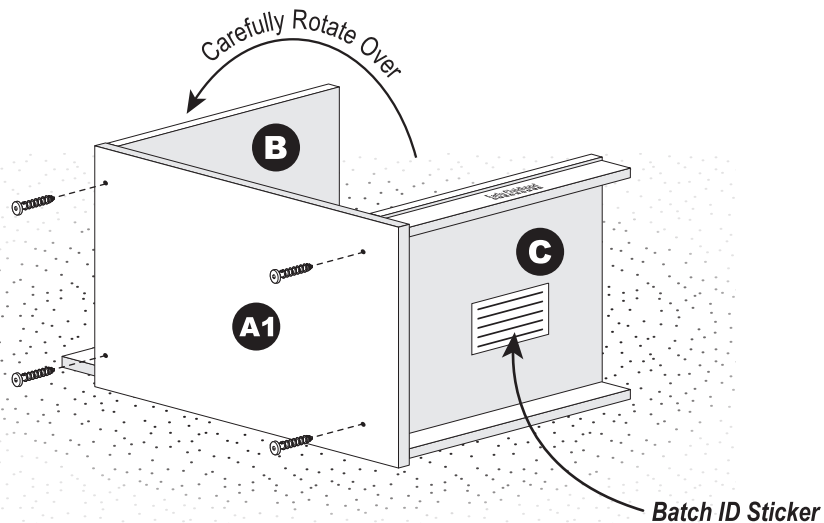


Install the Backsplash (G) onto the Top Panel (B) with two Hex Screws (I) using the Hex tool.

2 Install the Left Side Panel to Top/Bottom Panels

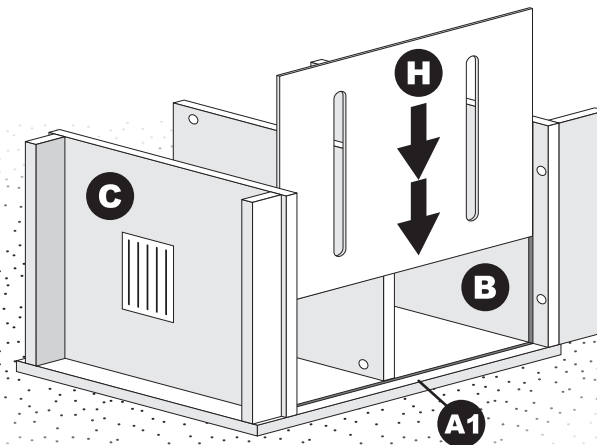
Install the **Left Side Panel (A1)** onto the **Top Panel (B)** and **Bottom Panel (C)** with four **Hex Screws (I)** using the Hex tool.

Two Adults Recommended: Carefully rotate the onto the **Left Side Panel (A1)**.



4 Slide the Back Panel into place

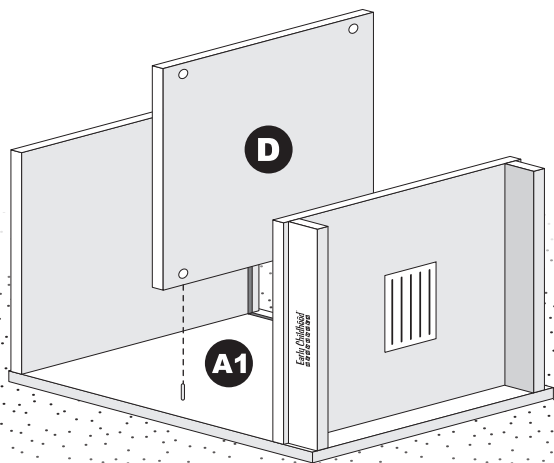
Slide the **Back Panel (H)** into the grooves on the **Top Panel (B)** and **Bottom Panel (C)**, until fully seated in the groove on the inside of the **Left Side Panel (A1)**.



3 Connect the Shelf

Install two **Cam Posts (K1)** into the threaded plastic inserts on the inside of the **Left Side Panel (A1)** with a Phillips screwdriver. This step will be repeated on **Right Side Panel (A2)**.

Reminder: Do not overtighten, as the plastic threads can be stripped.

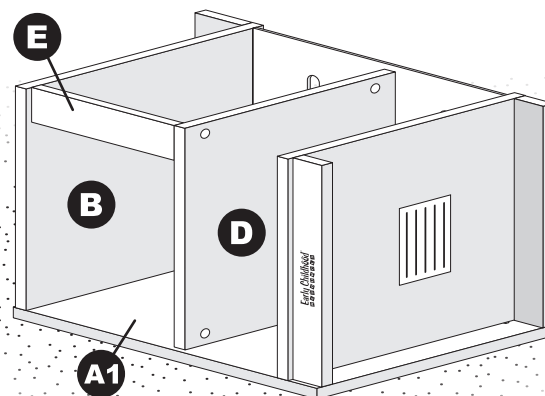


Place four **Cam Locks (K2)** into the recessed holes on the underside of **Shelf (D)**, with the arrow facing the closest edge.

Lower the **Shelf (D)** onto the **Cam Posts (K1)** on the **Left Side Panel (A1)**. Turn the **Cam Locks** clockwise with a Phillips screwdriver to lock the Shelf onto the posts.

5 Insert the Front Panel

Insert the pre-installed wooden dowels on the **Front Panel (E)** into the corresponding holes on the underside of the **Top Panel (B)** and topside of **Shelf (D)**.

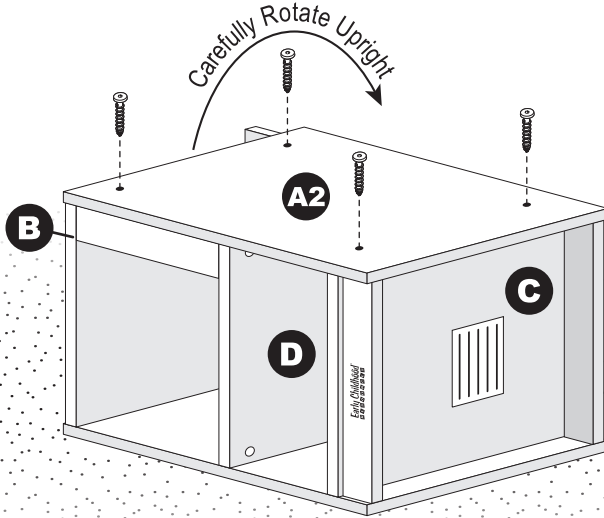


6 Install the Right Side Panel

Lower the **Right Side Panel (A2)** so the **Cam Posts (K1)** align into the holes on the edge of **Shelf (D)**. Turn the **Cam Locks (K2)** clockwise with a Phillips screwdriver to lock the Shelf onto the posts.

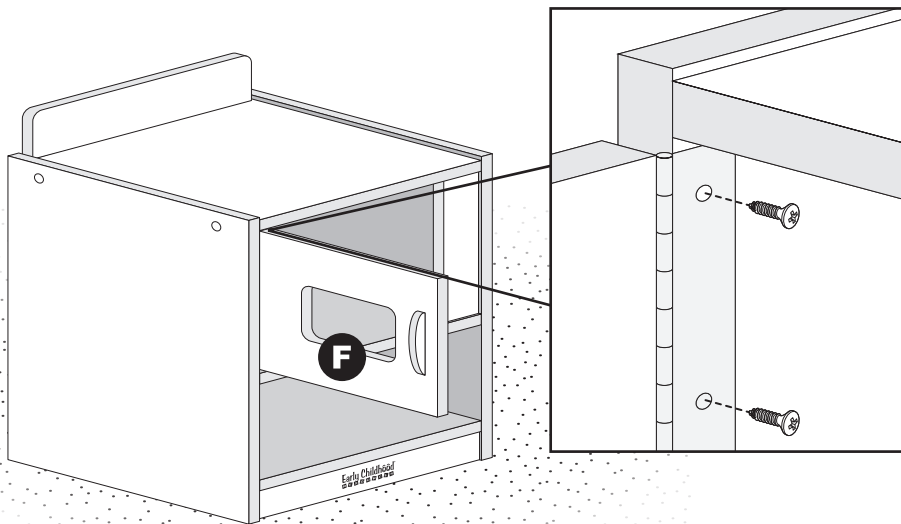
Install the **Right Side Panel (A2)** onto the **Top Panel (B)** and **Bottom Panel (C)** with four **Hex Screws (I)** using the Hex tool.

Two Adults Recommended:
Carefully rotate the unit upright.



7 Install the Door

Install the **Door (F)** with three **Phillips Screws (J)** using a Phillips screwdriver.



Early Childhood Resources

We appreciate your purchase of the Colorful Essentials Microwave Oven. Early Childhood Resources has made every effort to supply a quality product, that with proper use and care, will bring you many years of trouble free use!

If you experience any difficulties with this product, please email us at customerservice@ecr4kids.com or call toll-free at (888) 227-9028 (Monday - Friday, 7:00am - 4:00pm Pacific Standard Time)

Please do not return to place of purchase as Early Childhood Resources will replace defective part(s) and/or product.



"Early Childhood Resources® guarantees the quality of all of our products. You can trust the quality and safety of our furniture and materials, along with the peace of mind that our products are made to last. If for any reason, you are not satisfied with the quality and workmanship of our products, we will replace the item or refund the sale."

Care and Cleaning

Clean wood with a damp cloth or sponge using warm water and mild soap. Wipe dry.

Do not place near heat, moisture or vaporizer which may cause wood to warp and peel.

Check for loose or worn parts periodically and tighten or replace as necessary.

Record the manufacture date here. Information is located on the Batch ID sticker and on the shipping carton. Save this sheet in an accessible place.

Model Number: ELR-0749

Factory Code: D

Manufacture Date: _____

Batch ID Number: _____
(Located on Part C)