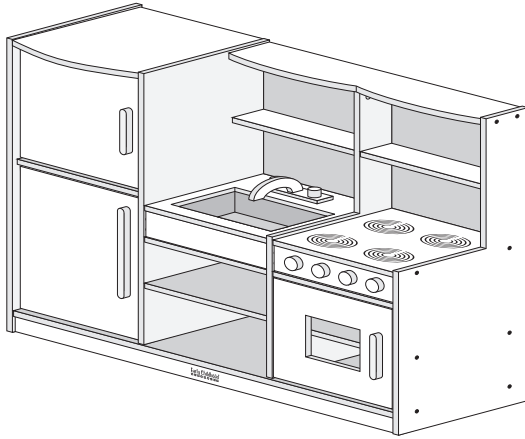


# Early Childhood RESOURCES

Mt. Laurel, NJ 08054 USA  
www.ecr4kids.com

## Colorful Essentials 4-in-1 Kitchen Center Model# ELR-0750



### **WARNING:**

#### **Adult Assembly Required.**

Two adults recommended.

- Contains small parts, sharp points and edges.
- Do not stand, sit, kneel, climb, lean or pull on unit for support.
- Never leave children unattended.
- Do not place unit near high heat or moisture.
- Adult supervision recommended.

#### **TOOLS INCLUDED**

- Hex Tool (1)



#### **TOOLS NEEDED**

- + Phillips Screwdriver



# Early Childhood RESOURCES

We appreciate your purchase of the CE 4-in-1 Kitchen Center. Early Childhood Resources has made every effort to supply a quality product, that with proper use and care, will bring you many years of trouble free use!

If you experience any difficulties with this product, please email us at [customerservice@ecr4kids.com](mailto:customerservice@ecr4kids.com) or call toll-free at (888) 227-9028 (Monday - Friday, 7:00am - 4:00pm Pacific Standard Time)

**Please do not return** to place of purchase as Early Childhood Resources will replace defective part(s) and/or product.



"Early Childhood Resources® guarantees the quality of all of our products. You can trust the quality and safety of our furniture and materials, along with the peace of mind that our products are made to last. If for any reason, you are not satisfied with the quality and workmanship of our products, we will replace the item or refund the sale."

#### **Care and Cleaning**

Clean unit with a damp cloth or sponge using warm water and mild soap. Wipe dry.

Do not place near heat, moisture or vaporizer which may cause panels to warp and peel.

Check for loose or worn parts periodically and tighten or replace as necessary.

**Record the manufacture date here. Information is located on the Batch ID sticker and on the shipping carton. Save this sheet in an accessible place.**

**Model Number:** ELR-0750

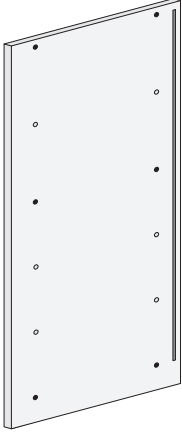
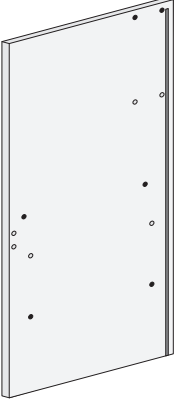
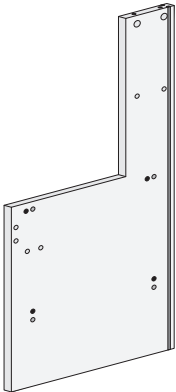
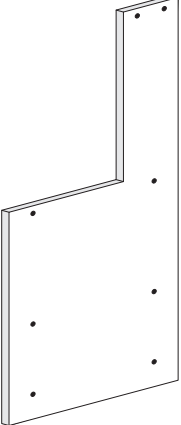
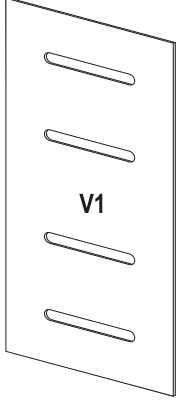
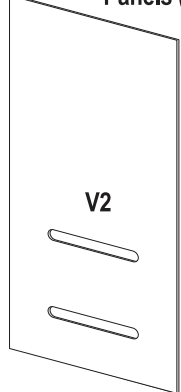
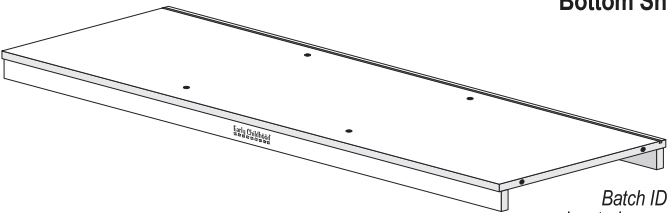
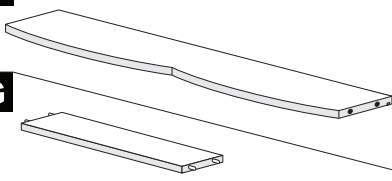

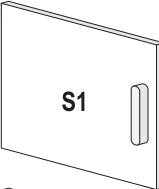
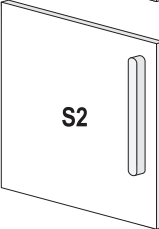
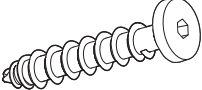

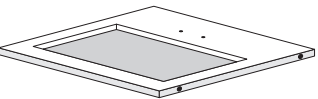
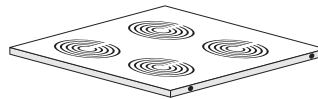
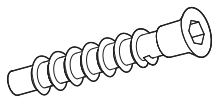
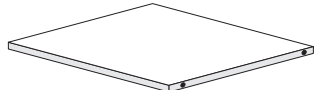
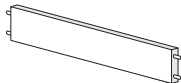
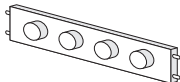
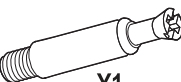

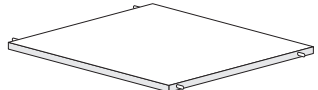
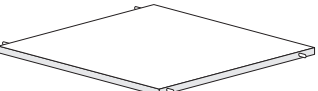
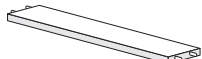


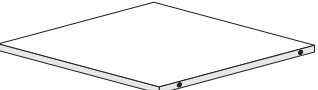

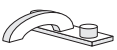
**Factory Code:**   D  

**Manufacture Date:** \_\_\_\_\_

**Batch ID Number:** \_\_\_\_\_  
(Located on Part E)

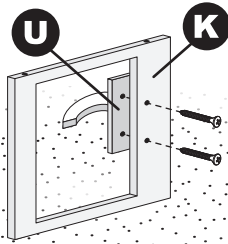
# Parts List

BEFORE ASSEMBLING, MAKE SURE YOU HAVE ALL THE PARTS

<b>A</b> Refrigerator Left Side Panel (1) 	<b>B</b> Refrigerator Right Side Panel (1) 	<b>C</b> Cupboard Center Panel (1) 	<b>D</b> Cupboard Right Side Panel (1) 	<b>V</b> Refrigerator Back Panel (1)  <b>V1</b>  <b>V2</b> Cupboard Back Panels (2)
<b>E</b> Bottom Shelf (1)  <i>Batch ID Sticker located on underside</i>	<b>F</b> Cupboard Top Panel (1)  <b>G</b> Cupboard Shelves (2) 	<b>S</b> Refrigerator Doors (1/1)  <b>S1</b>  <b>S2</b>	<b>W</b> Decorative Hex Screws (24)  <i>Use the Hex Tool.</i>	
<b>H</b> Refrigerator Top Panel (1) 	<b>K</b> Sink Top (1) 	<b>O</b> Stove Top (1) 	<b>X</b> Flat Head Hex Screws (4)  <i>Use the Hex Tool.</i>	
<b>I</b> Refrigerator Middle Shelf (1) 	<b>L</b> Sink Front Panel (1) 	<b>P</b> Stove Control Panel (1) 	<b>Y</b> Cam Posts & Cam Locks (10/10)  <b>Y1</b>  <b>Y2</b> <i>Use a Phillips Screwdriver.</i>	
<b>J</b> Refrigerator Shelves (3) 	<b>M</b> Under Sink Panel (1) 	<b>Q</b> Stove Crossbar (1) 	<b>Z</b> Short Phillips Screws (13)  <b>Z1</b> Long Phillips Screws (2)  <b>Z2</b> <i>Use a Phillips Screwdriver.</i>	
<b>N</b> Sink Shelf (1) 	<b>R</b> Stove Shelf (1) 	<b>U</b> Faucet (1) 		

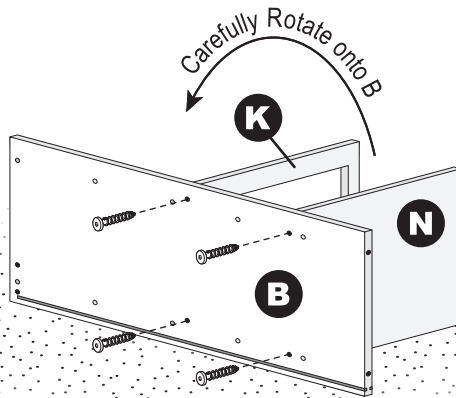
## 1 Install Faucet to Sink Top

Install the **Faucet (U)** onto the **Sink Top (K)** with two **Long Phillips Screws (Z2)** using a Phillips screwdriver.



## 2 Install the Sink Top & Sink Shelf

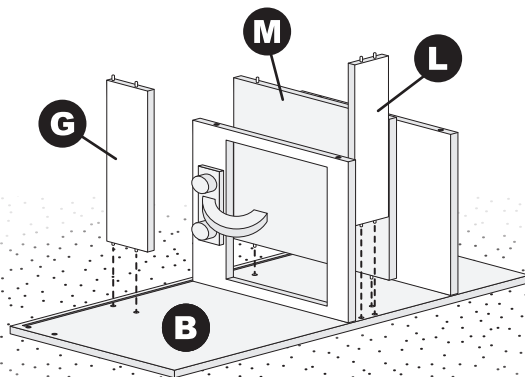
Install the **Sink Top (K)** and **Sink Shelf (N)** onto the **Refrigerator Right Side Panel (B)** as shown with four **Decorative Hex Screws (W)** using the Hex tool.



**Two Adults Recommended:**  
Rotate onto the Refrigerator Right Side Panel.

## 3 Insert Front & Under Sink Panels

Insert the pre-installed wooden dowels on **Sink Front Panel (L)**, **Under Sink Panel (M)** and **Cupboard Shelf (G)** into the corresponding holes on the inside of **Refrigerator Right Side Panel (B)**.

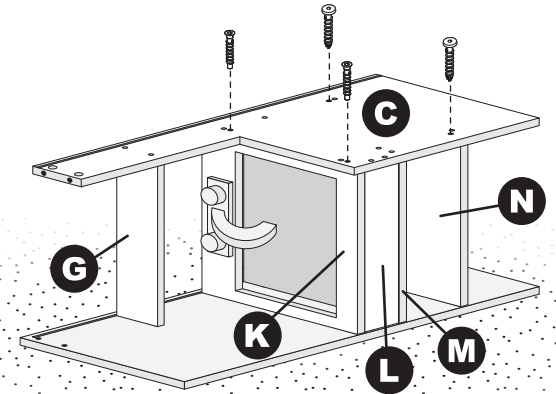


## 3 Install the Cupboard Center Panel

Insert the pre-installed wooden dowels on **Sink Front Panel (L)**, **Under Sink Panel (M)** and **Cupboard Shelf (G)** into the corresponding holes on the inside of **Cupboard Center Panel (C)**.  
Install the **Cupboard Center Panel (C)** onto the **Sink Top (K)** with two **Flat Head Hex Screws (X)** and onto the **Sink Shelf (N)** with two **Decorative Hex Screws (W)**, using the Hex tool.

Install four **Cam Posts (Y1)** into the threaded plastic inserts on the outside of **Cupboard Center Panel (C)** with a Phillips screwdriver.

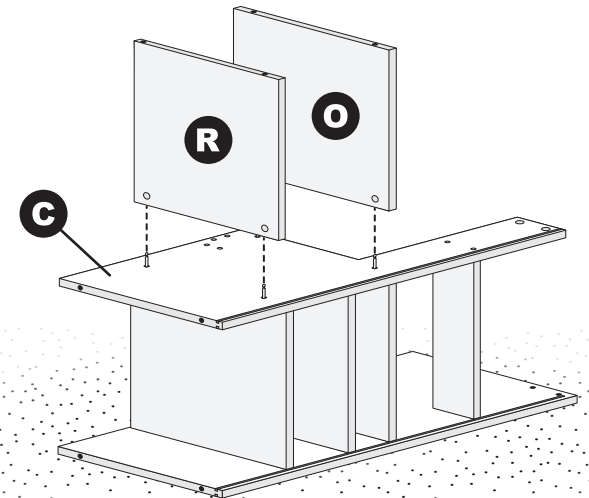
*Reminder: Do not overtighten, as the plastic threads can be stripped.*



## 4 Connect the Stove Top & Stove Shelf

Place four **Cam Locks (Y2)** into the recessed holes on the **Stove Top (O)** and **Stove Shelf (R)**, with the arrow facing the closest edge.

Attach the **Stove Top/Shelf (O/R)** onto the Cam Posts on the side of the **Cupboard Center Panel (C)**, turn the Cam Locks clockwise with a Phillips screwdriver to lock the **Stove Top/Shelf (O/R)** onto the posts.



See Next Page

## 5 Connect the Cupboard Top Panel

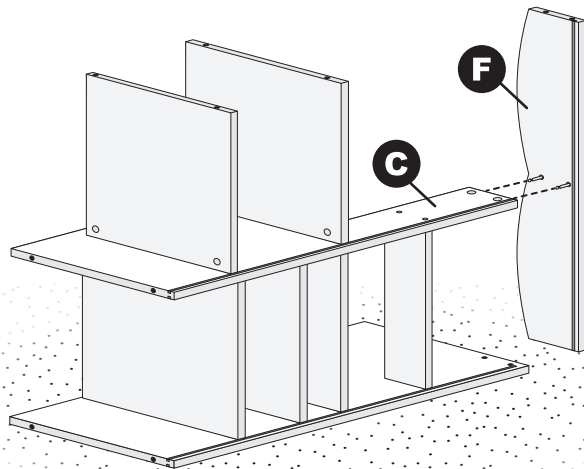
Install two **Cam Posts (Y1)** into the threaded plastic inserts on the underside of **Cupboard Top Panel (F)** with a Phillips screwdriver.

*Reminder: Do not overtighten, as the plastic threads can be stripped.*

Place two **Cam Locks (Y2)** into the recessed holes on the **Cupboard Center Panel (C)**, with the arrow facing the closest edge.

Insert the **Cupboard Top Panel (F)** Cam Posts into the holes on the top edge of the **Cupboard Center Panel (C)**.

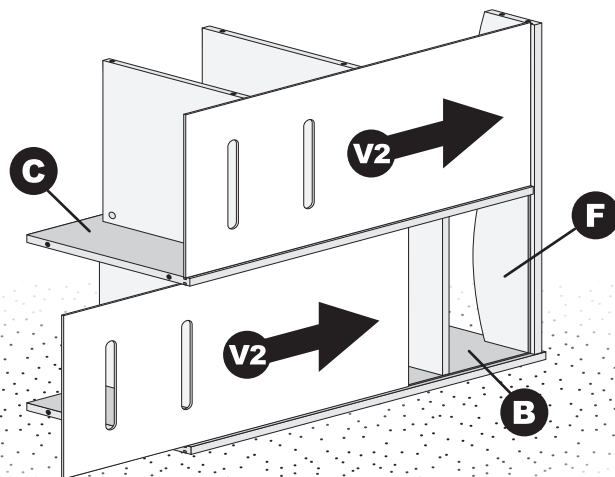
Turn the Cam Locks clockwise with a Phillips screwdriver to lock the **Cupboard Center Panel (C)** onto the posts



## 6 Insert the Cupboard Back Panels

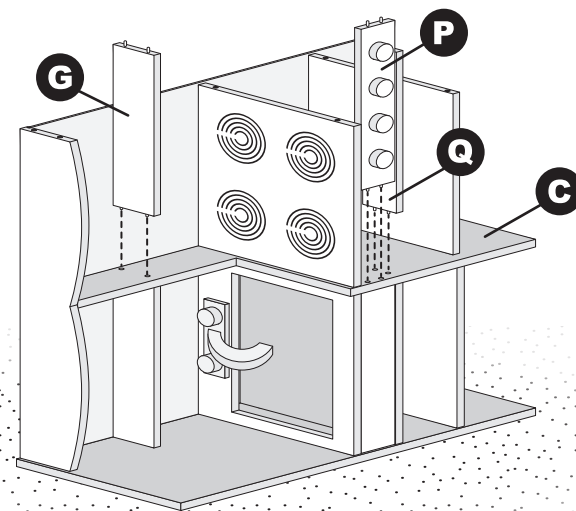
Slide both **Cupboard Back Panels (V2)** into the grooves on the **Refrigerator Right Side Panel (B)** and **Cupboard Center Panel (C)** as shown, until fully seated into the groove on the underside of the **Cupboard Top Panel (F)**.

*Tip: If the Backs do not slide in easily, wiggle the panels while pushing into place.*



## 7 Insert the Stove Control Panel & Crossbar

Insert the pre-installed wooden dowels on **Stove Control Panel (P)**, **Stove Crossbar (Q)** and **Cupboard Shelf (G)** into the corresponding holes on the side of the **Cupboard Center Panel (C)**.



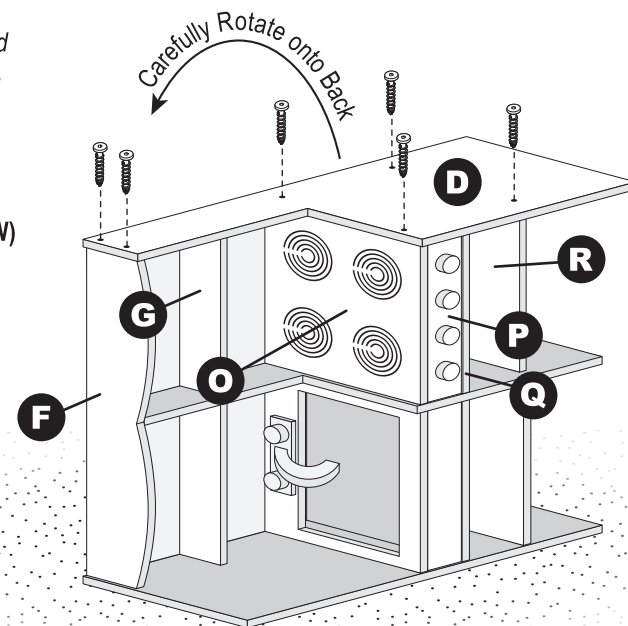
## 8 Install the Cupboard Right Side Panel

Insert the pre-installed wooden dowels on **Stove Control Panel (P)**, **Stove Crossbar (Q)** and **Cupboard Shelf (G)** into the corresponding holes on the inside of **Cupboard Right Side Panel (D)**.

*Reminder: Make sure the Cupboard Back Panel is seated in the groove before tightening.*

Install the **Cupboard Right Side Panel (D)** onto the **Stove Top (O)**, **Stove Shelf (R)** and **Cupboard Top Panel (F)** with six **Decorative Hex Screws (W)** using the Hex tool.

**Two Adults Recommended:**  
Rotate onto the Back Panels.



See Next Page

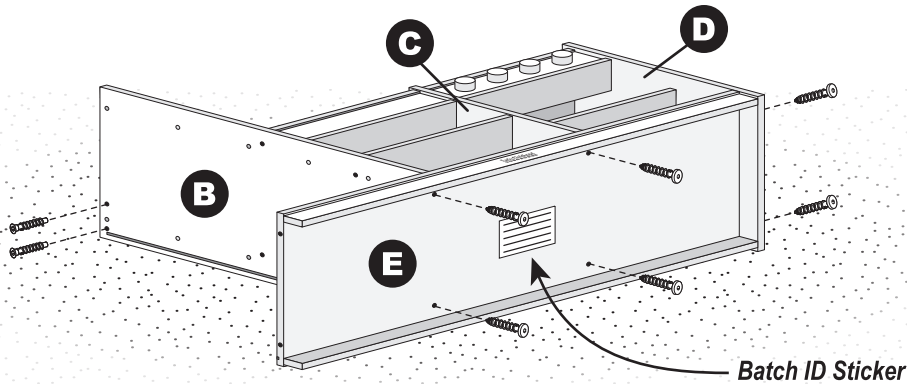
## 9 Install the Bottom Shelf

Complete the installation of the **Cupboard Top Panel (F)** onto the **Refrigerator Right Side Panel (B)** with two **Flat Head Hex Screws (X)**, using the Hex tool.

Install the **Bottom Shelf (E)** onto the **Refrigerator Right Side Panel (B)**, **Cupboard Center Panel (C)** and **Cupboard Right Side Panel (D)** with six **Decorative Hex Screws (W)**, using the Hex tool.

Install four **Cam Posts (Y1)** into the threaded plastic inserts on the left side of the **Refrigerator Right Side Panel (B)** with a Phillips screwdriver.

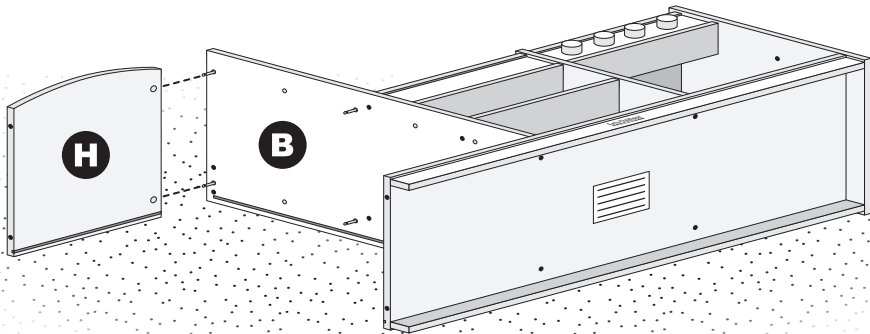
*Reminder: Do not overtighten, as the plastic threads can be stripped.*



## 10 Connect the Refrigerator Top Panel

Place two **Cam Locks (Y2)** into the recessed holes on the **Refrigerator Top Panel (H)**, with the arrow facing the closest edge.

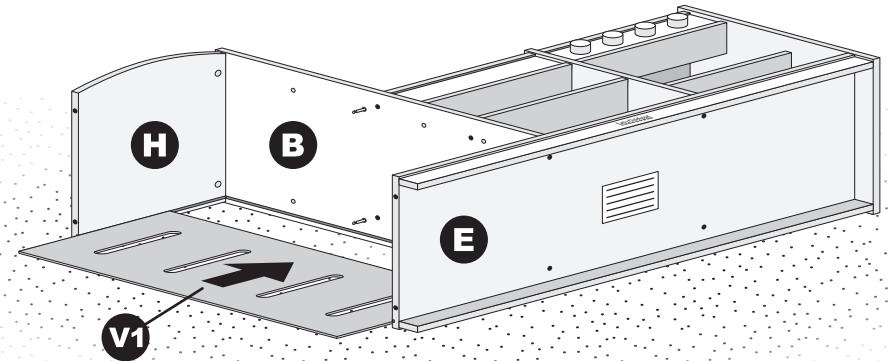
Attach the **Refrigerator Top Panel (H)** onto the **Cam Posts** at the top on the left side of **Refrigerator Right Side Panel (B)**, turn the **Cam Locks** clockwise with a Phillips screwdriver to lock the **Refrigerator Top Panel (H)** onto the posts.



## 11 Insert the Refrigerator Back Panel

Slide the **Refrigerator Back Panel (V1)** into the grooves on the **Refrigerator Top Panel (H)** and **Bottom Shelf (E)** as shown, until fully seated into the groove on the left side of the **Refrigerator Right Side Panel (B)**.

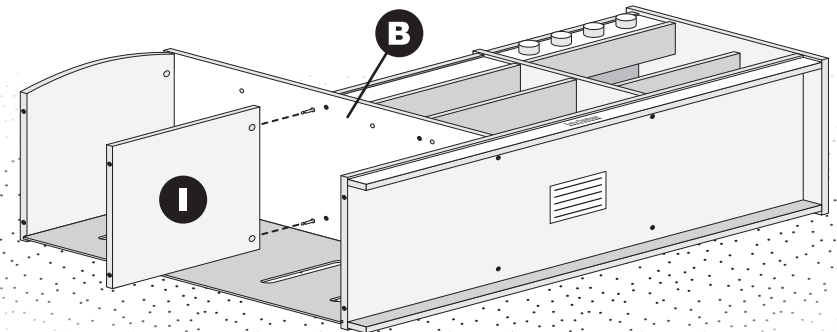
*Tip: If the Back does not slide in easily, wiggle the panel while pushing into place.*



## 12 Connect the Refrigerator Middle Shelf

Place two **Cam Locks (Y2)** into the recessed holes on the **Refrigerator Middle Shelf (I)**, with the arrow facing the closest edge.

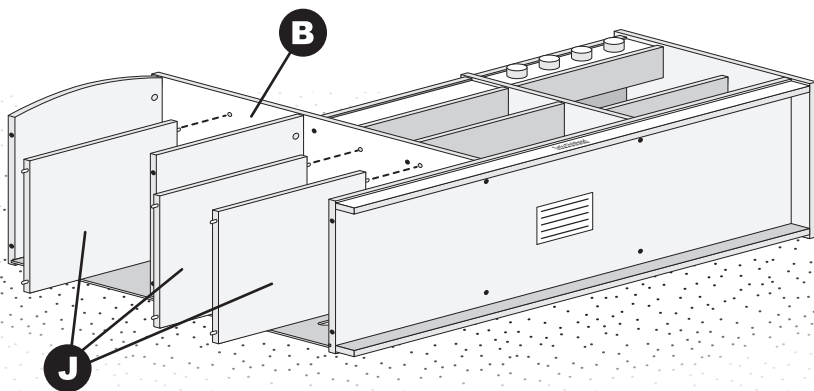
Attach the **Refrigerator Middle Shelf (I)** onto the **Cam Posts** on the left side of the **Refrigerator Right Side Panel (B)**, turn the **Cam Locks** clockwise with a Phillips screwdriver to lock the **Refrigerator Middle Shelf (I)** onto the posts.



See Next Page

## 13 Insert the Refrigerator Shelves

Insert the pre-installed wooden dowels on **Refrigerator Shelves (J)** into the corresponding holes on the left side of **Refrigerator Right Side Panel (B)**.



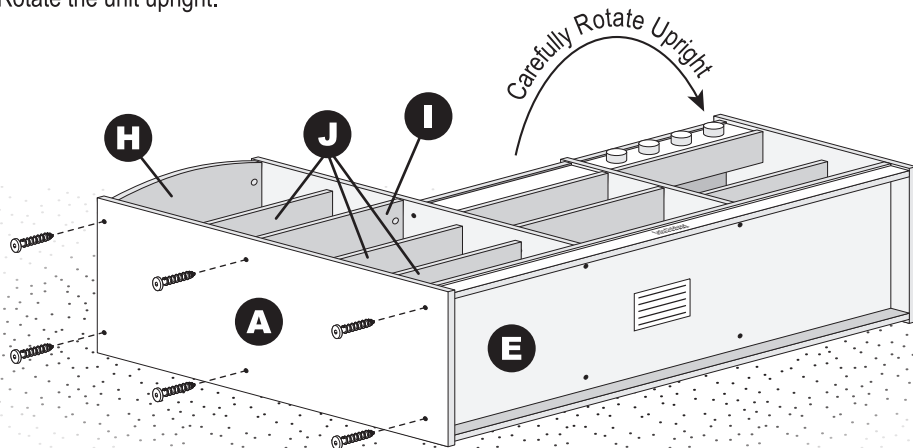
## 14 Install the Refrigerator Left Side Panel

Insert the pre-installed wooden dowels on **Refrigerator Shelves (J)** into the corresponding holes on the inside of **Refrigerator Left Side Panel (A)**.

**Reminder:** Make sure the Refrigerator Back Panel is seated in the groove before tightening.

Install the **Refrigerator Left Side Panel (A)** onto the **Refrigerator Top Panel/Middle Shelf (H/I)** and **Bottom Shelf (E)** with six **Decorative Hex Screws (W)**, using the Hex tool.

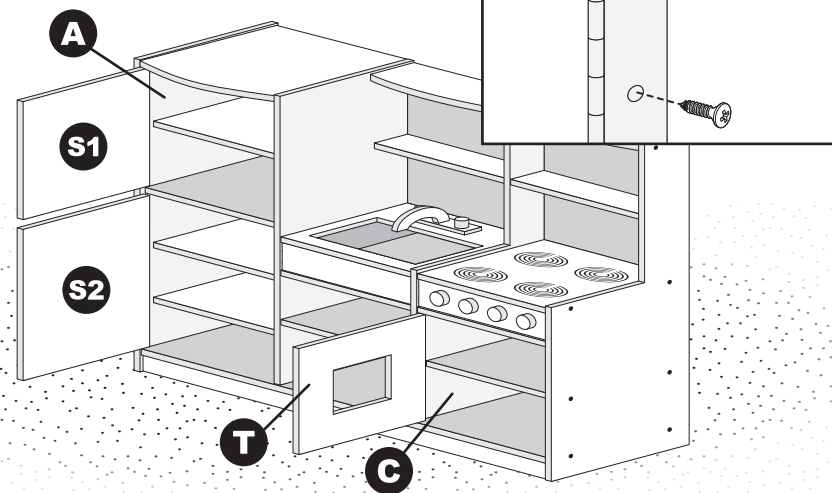
**Two Adults Recommended:**  
Rotate the unit upright.



## 15 Install the Doors

Install the **Refrigerator Doors (S1/S2)** onto the **Refrigerator Left Side Panel (A)** with nine **Small Phillips Screws (Z1)**, using a Phillips screwdriver.

Install the **Stove Door (T)** onto the **Cupboard Center Panel (C)** with four **Small Phillips Screws (Z1)**, using a Phillips screwdriver.



## 16 Insert the Sink Tub

Insert the Sink Tub into the opening on the **Sink Top (K)**.

