



WARNING:

- Adult Assembly Required. Two adults recommended.
- Contains small parts, sharp points and edges.
- Adult Supervision Recommended.
- Do not stand, sit, kneel, climb, lean or pull on unit for support.
- Never leave children unattended.
- Do not place unit near high heat or moisture.

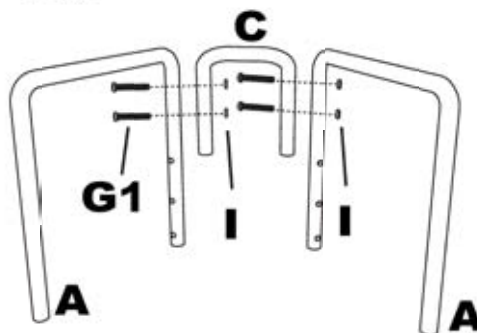
BEFORE ASSEMBLING, MAKE SURE THERE ARE NO MISSING PARTS.

If you experience any difficulties with this product, please email us at customerservice@ecr4kids.com or call toll-free (888) 227-9028 (Mon. - Fri., 9:00am to 5:00pm Eastern Standard Time).

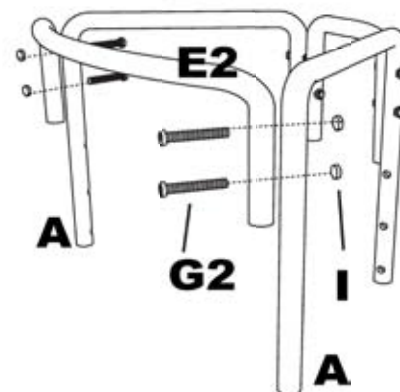
Please do not return to place of purchase as Early Childhood Resources will replace defective part(s) and/or product.

Ellipse Station Assembly

1 Insert 4 Large Hex Screws(G1) through the holes in the 2 Double Leg Frames(A) and 1 Short Frame Brace(C) as shown. Secure with 4 Nuts(I). While holding Nut(I) with one hand, tighten Screw(G1) with Hex Key Tool(J).

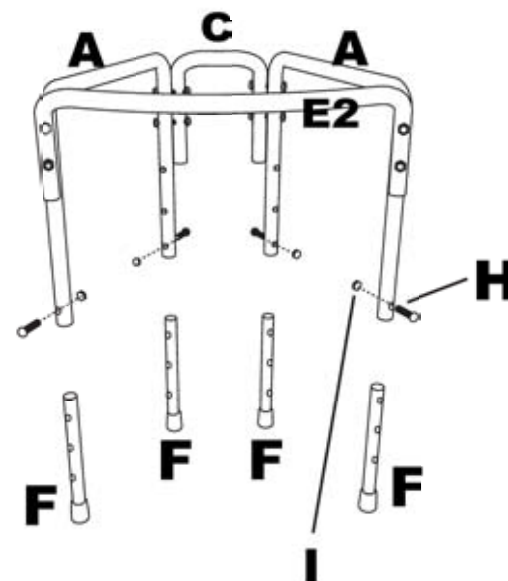


2 Attach a Curved Frame Brace #2(E2) to the assembled unit as shown using 4 Medium Hex Screws(G2) and 4 Nuts(I) as shown. Tighten with Hex Key Tool(J).



3 Insert 4 Lower Leg Inserts(F) into the ends of both Double Leg Frames(A) as shown. Make sure the adjustment holes in Lower Leg(F) are lined up with the holes in the Double Leg Frames(A), and the same number of adjustment holes in the Lower Leg Inserts(F) are visible below the ends of Leg Frames(A).

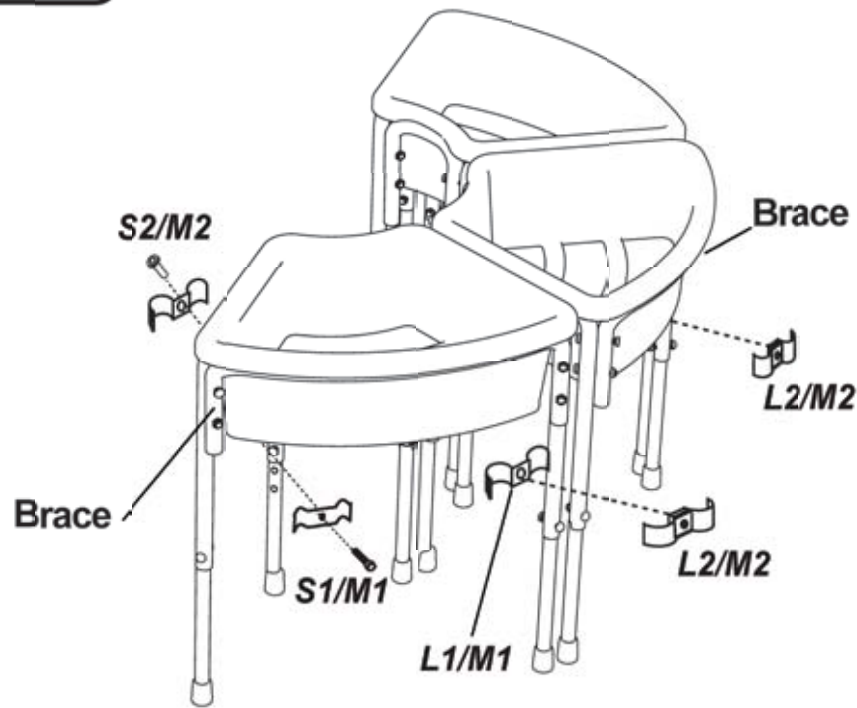
Insert 4 Small Hex Screws(H) into holes in the Legs(A) so they pass completely through both the Legs(A) and Lower Leg Inserts(F). Secure with 4 Nuts(I), then tighten with Hex Key Tool(J).



PARTS LIST		QTY		QTY
A Double Leg		12	I Nut	72
C Short Frame Brace		6	J Hex Key Tool	2
E2 Curved Frame Brace		6	K Wrench	2
F Lower Leg Insert		24	M1 Connector Screw	12
G1 Large Hex Screw		24	M2 Connector Post	12
G2 Medium Hex Screw		24	C Ellipse Bin & Lid	6
H Small Hex Screw		24	S Short Connector	6
			L Long Connector	6

4

Connect the Stations



Position 2 assembled stations flush against each other as shown. Make sure the Braces(D,E1 or E2) are positioned toward the outer perimeter.

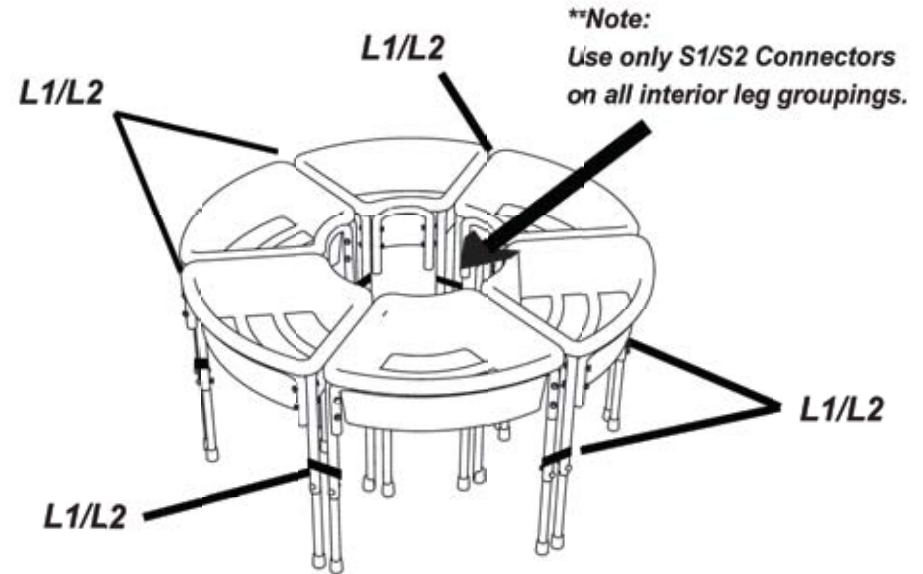
1. Position 1 front Connector(S1,L1) with Connector Screw(M1) behind 2 adjacent legs (1 leg from 2 different stations) so the curved portion of the Connector fits snugly on Leg(A,B).

Note: Do not place Connectors(S1,L1) on the Lower Leg Inserts(F).

2. Position the back Connector(L2,S2) with Connector Post(M2) behind the same 2 legs, and hold in place with one hand.
3. Insert a Connector Hex Key Tool(included) into both the Connector Screw & Post(M1,M2). Tighten at the same time.
4. Repeat Steps 1 - 3 to connect the remaining exterior legs as shown.

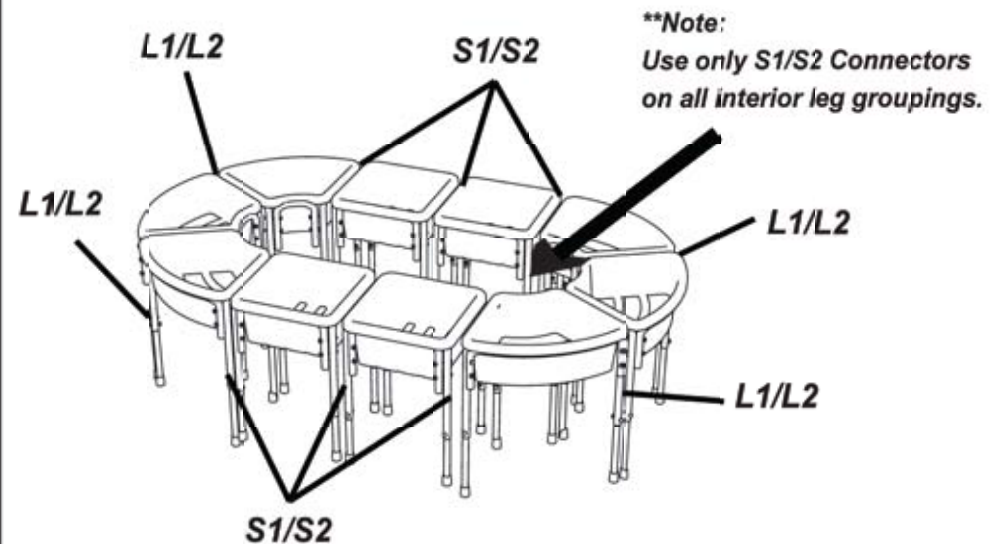
**** Optional:** For added security, wrap the *optional elastic Loop-Lock Strap(O) around the centermost leg bundle, and secure the strap to itself firmly. To request this *optional Loop-Lock Strap, contact our Customer Service Department.

ELR-0796



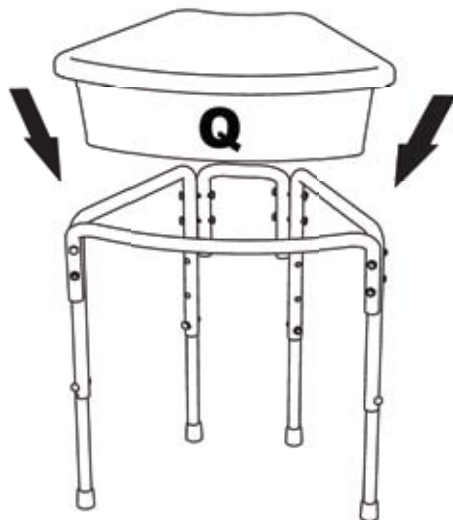
Alternate Configuration (may require additional purchase)

Model #: ELR-0795



5

Insert an Ellipse Bin(Q) into each assembled frame as shown. Press down firmly. Cover with lid as desired.



5

You are done!



CAUTION:

- Do not allow children to climb, sit or stand on units.
- Do not allow child to put their head or face into the basin when in use.
- Cover stations with included lids to keep stations clean after use.
- To avoid attraction by insects or animals, do not leave water standing after use.

**Early Childhood
RESOURCES**

We appreciate your purchase of the Sand & Water Play Center. Early Childhood Resources has made every effort to supply a quality product, that with proper use and care, will bring you many years of trouble free use!

Care and Cleaning

Clean unit frequently with a damp cloth or sponge using warm water and mild soap. Wipe dry thoroughly.

Do not place near heat, moisture or vaporizer as it may cause damage to unit.

Check for loose or worn parts periodically and tighten or replace as necessary.



"Early Childhood Resources® guarantees the quality of all of our products. You can trust the quality and safety of our furniture and materials, along with the peace of mind that our products are made to last. If for any reason, you are not satisfied with the quality and workmanship of our products, we will replace the item or refund the sale."

Record the Model and ECR Purchase Order Number from your shipping carton on the lines below. This information may also be found on a label enclosed. Place this sheet in an accessible place for future reference.

Model Number: **ELR-0796**

Purchase Order Number: **ECR20** _____ - _____