



WARNING:

- **Adult Assembly Required.** Two adults recommended.
- Contains small parts, sharp points and edges.
- Adult Supervision Recommended.
- Single stations are not intended to be used as a stand alone unit. Units must be attached to other stations via Manufacturer provided connectors before use.
- Do not stand, sit, kneel, climb, lean or pull on unit for support.
- Never leave children unattended.
- Do not place unit near high heat or moisture.

BEFORE ASSEMBLING, MAKE SURE THERE ARE NO MISSING PARTS.

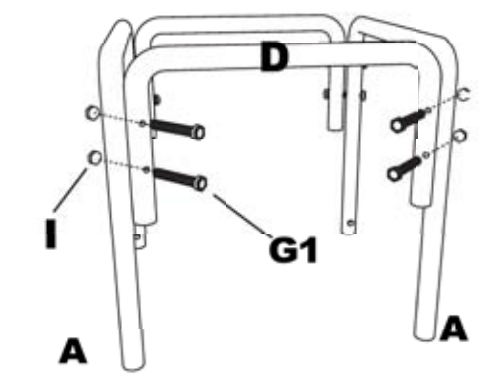
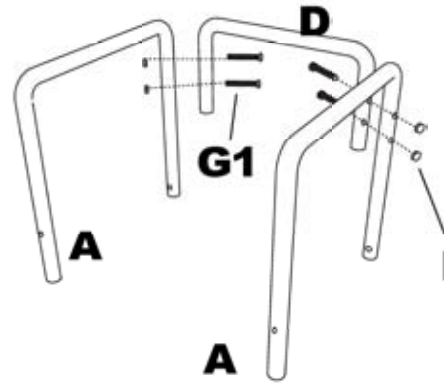
If you experience any difficulties with this product, please email us at customerservice@ecr4kids.com or call toll-free (888) 227-9028 (Mon. - Fri., 9:00am to 5:00pm Eastern Standard Time).
 Please do not return to place of purchase as Early Childhood Resources will replace defective part(s) and/or product.

Square Station Assembly

1 Attach 1 Long Frame Brace(D) to 2 Double Legs(A) using 4 Medium Hex Screws(G2) and 4 Nuts(I) as shown.

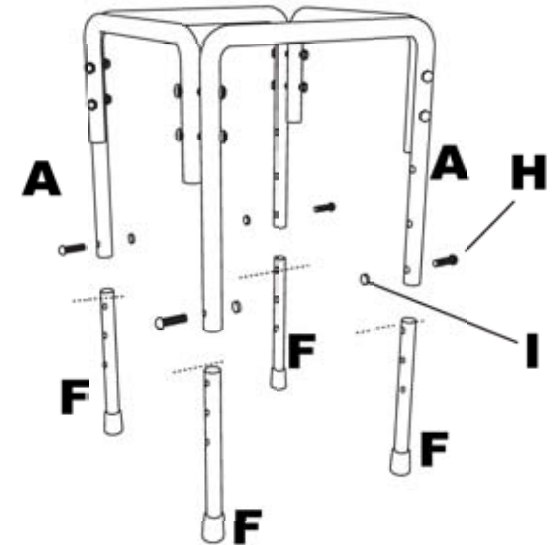
While holding Nut(I) with one hand, tighten the Medium Hex Screw(G2) with Hex Key Tool(J).

2 Attach a second Long Frame Brace(D) to the assembled unit as shown using 4 Medium Hex Screws(G2) and 4 Nuts(I) as shown. Tighten with Hex Key Tool(J).



3 Insert 4 Lower Leg Inserts(F) into the holes in the end of both Double Leg Frames(A) as shown. Make sure that the same number of Lower Leg Insert(F) adjustment holes are visible below the ends of the Double Leg Frames(A), and the adjustment hole in the Lower Leg(F) is lined up with the hole in the Double Leg Frame(A).

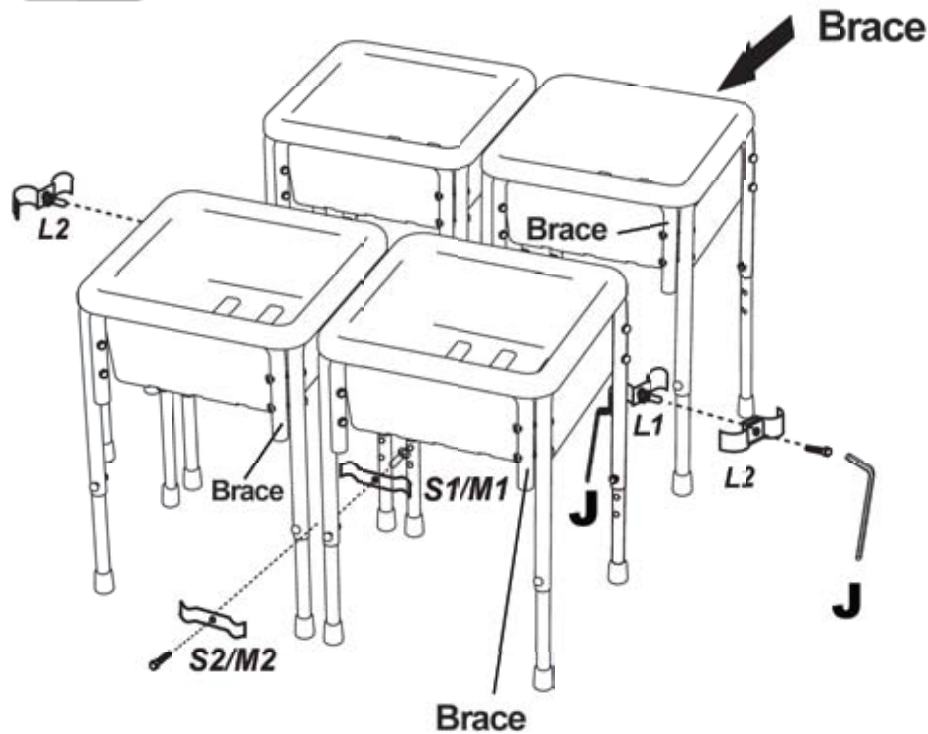
Insert 4 Small Hex Screws(H) into holes in the Double Leg Frames(A) so they pass completely through the Double Leg Frames(A) and Lower Leg Inserts(F). Secure with 4 Nuts(I), then tighten with the Hex Key Tool(J).



PARTS LIST		QTY			QTY
A Double Leg		8	M1 Connector Screw		4
D Long Frame Brace		8	M2 Connector Post		4
F Lower Leg Insert		16	P Square Bin & Lid		4
G2 Medium Hex Screw		32	S Short Connector		2
H Small Hex Screw		16	L Long Connector		2
I Nut		48	O *Loop-Lock Strap		*
J Hex Key Tool		2	*Available upon request. Contact ECR Customer Service.		
K Wrench		2			

4

Connect the Stations



Position 2 assembled stations flush against each other as shown. Make sure the Braces(D,E1 or E2) are positioned toward the outer perimeter as shown.

1. Position the Connectors(S1,L1) with Connector Screws and Posts(M1,M2) in front of and behind 2 adjacent legs (1 leg from 2 different stations) so the curved portion of the Connector fits snugly on Leg(A,B).

Note: Do not place Connectors(S1,L1) on the Lower Leg Inserts(F).

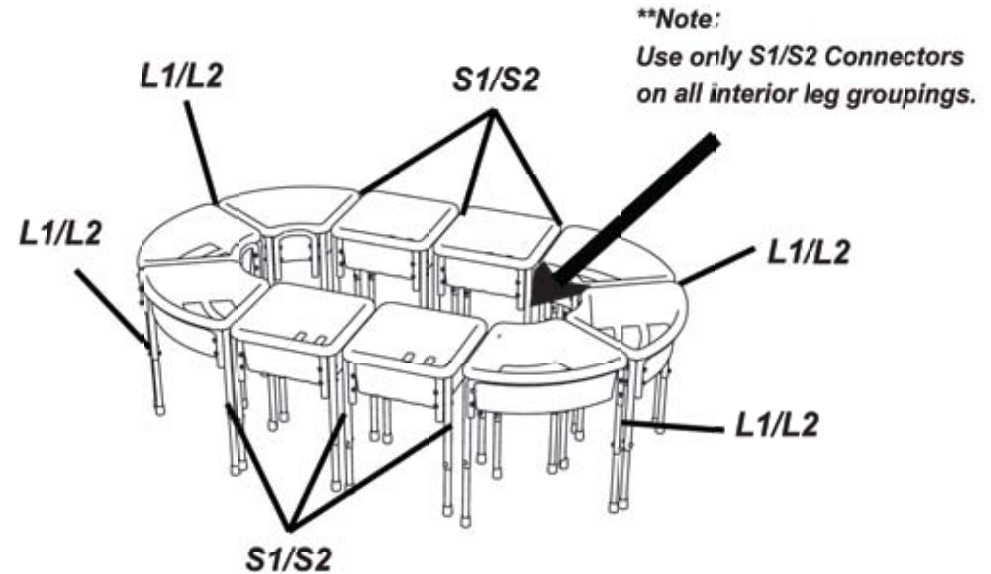
2. While holding the Connectors in place with one hand, insert a Connector Hex Key Tool (included) into both sides and tighten at the same time.
3. Repeat Steps 1 - 2 to connect the remaining exterior legs as shown.

**** Optional:** For added security, wrap the *optional elastic Loop-Lock Strap(O) around the centermost leg bundle, and secure the strap to itself firmly. To request this *optional Loop-Lock Strap, contact our Customer Service Department.

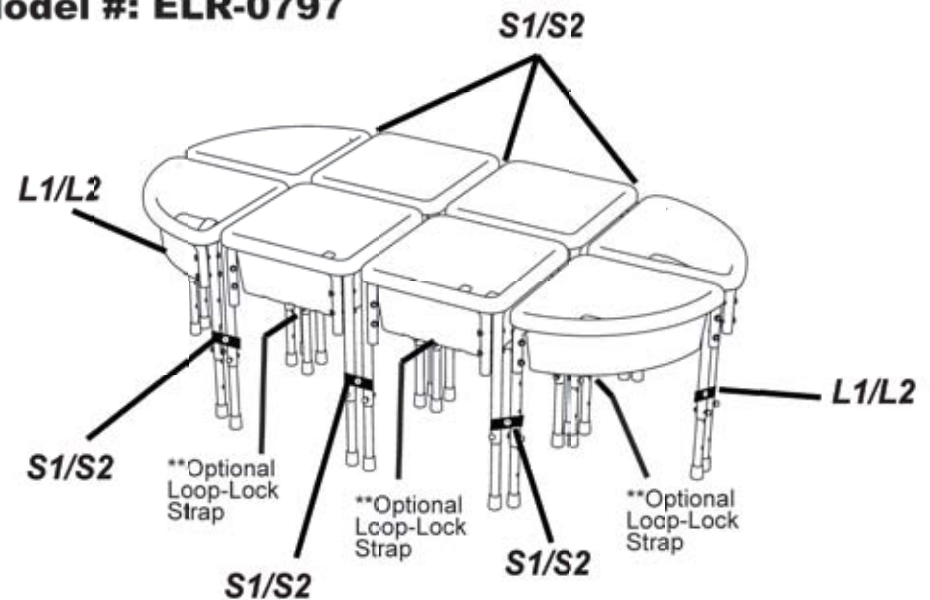
Alternate Configurations

(may require additional purchase)

Model #: ELR-0795

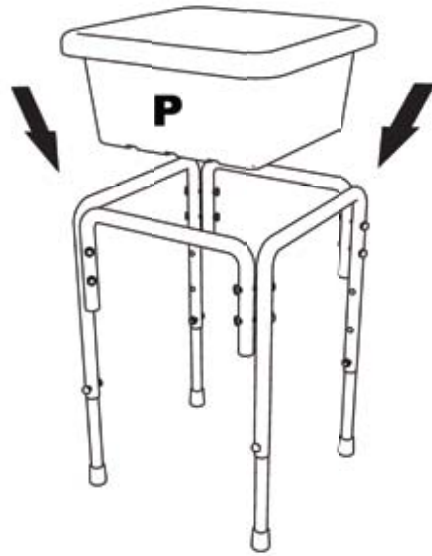


Model #: ELR-0797

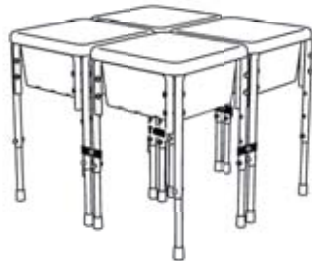


5

Insert a Square Bin(P) into the assembled frame as shown. Press down firmly. Cover with lid as desired.

**6**

You Are Done!



CAUTION:

- Do not allow children to climb, sit or stand on units.
- Do not allow child to put their head or face into the basin when in use.
- Cover stations with included lids to keep stations clean after use.
- To avoid attraction by insects or animals, do not leave water standing after use.

**Early Childhood
RESOURCES**

We appreciate your purchase of the Sand & Water Play Center. Early Childhood Resources has made every effort to supply a quality product, that with proper use and care, will bring you many years of trouble free use!

Care and Cleaning

Clean unit frequently with a damp cloth or sponge using warm water and mild soap. Wipe dry thoroughly.

Do not place near heat, moisture or vaporizer as it may cause damage to unit.

Check for loose or worn parts periodically and tighten or replace as necessary.



"Early Childhood Resources® guarantees the quality of all of our products. You can trust the quality and safety of our furniture and materials, along with the peace of mind that our products are made to last. If for any reason, you are not satisfied with the quality and workmanship of our products, we will replace the item or refund the sale."

Record the Model and ECR Purchase Order Number from your shipping carton on the lines below. This information may also be found on a label enclosed. Place this sheet in an accessible place for future reference.

Model Number: **ELR-0799**

Purchase Order Number: **ECR20** _____ - _____