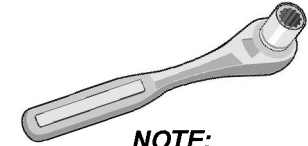


Cube Play Sets Assembly Guide

TOOLS:

The following tools are required for assembly (not included):

- * 5/8" Wrench
- * 9/16" Wrench
- * 11/16" Wrench



NOTE:

A socket wrench may be used, which may reduce assembly time.

PARTS LIST

ELR-0816, 30 pc. Tunnel Cube Play with Slide*
*shown assembled

A SOLID SQUARE PANEL (15)

B SQUARE PANEL#1 (4)
* Use with Tunnel

C SQUARE PANEL#2 (1)
* Use with Stairs & Slide

D TRIANGLE PANEL (4)

E TUNNEL (2)

F RAILING (2)

G1 SLIDE (1)

G2 STAIRS (1)

T1 ROUND HEAD BOLTS(8)

T2 HEX NUT(8)

Tunnel Hardware

Railing Hardware

| | |
|-------------------------------|---------------------------|
| H LONG BOLT(4) | O MEDIUM BOLT(8) |
| J SMALL WASHER(8) | J SMALL WASHER(8) |
| K SMALL CAP NUT(4) | P SPLIT WASHER(8) |
| Hardware Pack "H-2" | |
| L SMALL BOLT(4) | Q HEX NUT(8) |
| M LARGE WASHER(4) | R LARGE CAP NUT(8) |
| Hardware Pack "H-3" | |
| N SMALL SPACER BOLT(4) | |

PARTS LIST

ELR-0817, 44 pc. Large Cube Play with Slide*
*shown assembled

A SOLID SQUARE PANEL(23)

B SQUARE PANEL#1 (8)
* Use with Tunnel

C SQUARE PANEL#2 (1)
* Use with Stairs & Slide

D TRIANGLE PANEL(4)

E TUNNEL(4)

F RAILING (2)

G1 SLIDE (1)

G2 STAIRS (1)

T1 ROUND HEAD BOLTS(16)

T2 HEX NUT(16)

Tunnel Hardware

Railing Hardware

| | |
|-------------------------------|---------------------------|
| H LONG BOLT(4) | O MEDIUM BOLT(8) |
| J SMALL WASHER(8) | J SMALL WASHER(8) |
| K SMALL CAP NUT(4) | P SPLIT WASHER(8) |
| Hardware Pack "H-2" | |
| L SMALL BOLT(4) | Q HEX NUT(8) |
| M LARGE WASHER(4) | R LARGE CAP NUT(8) |
| Hardware Pack "H-3" | |
| N SMALL SPACER BOLT(4) | |

BEFORE ASSEMBLING, MAKE SURE THERE ARE NO MISSING PARTS.

WARNING:

- Adult Assembly Required.
- Maximum Weight Capacity: 130 LB (60 KG)
- Recommended Age: 3 - 6 Years
- Recommended Height: 30"+
- Never leave children unattended.

TO AVOID SERIOUS INJURY:

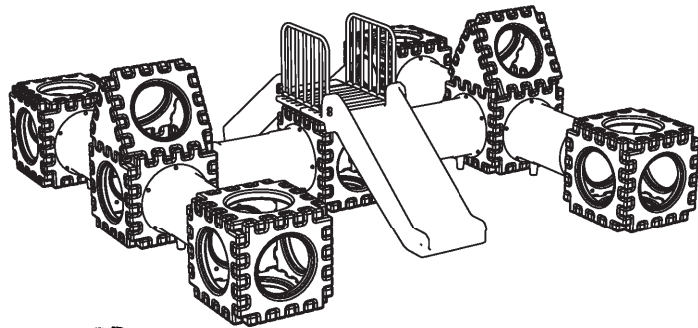
- Continuous Adult Supervision Required.
- Never use near motor vehicles, streets, swimming pools, hills, steps or sloped driveways.
- Always wear shoes when using this unit.
- Do not lean or pull on unit for support

If you experience any difficulties with this product, please contact us toll free at 1-888-227-9028 (Monday through Friday, 9:00am to 5:00pm Eastern Time).

Please do not return to place of purchase. Early Childhood Resources will replace defective product.

PARTS LIST

ELR-0818, 58 pc. Grand Cube Play with Slide
*shown assembled



- A** SOLID SQUARE PANEL (23)
- B** SQUARE PANEL#1 (8)
* Use with Tunnel
- C** SQUARE PANEL#2 (1)
* Use with Stairs & Slide
- D** TRIANGLE PANEL (4)
- E** TUNNEL (4)

- F** RAILING (2)
- G1** SLIDE (1)
- G2** STAIRS (1)

Tunnel Hardware

- T1** ROUND HEAD BOLTS (16)
- T2** HEX NUT (16)

Railing Hardware

Hardware Pack "H-1"

- H** LONG BOLT (4)
- J** SMALL WASHER (8)
- K** 9/16" CAP NUT (4)

Hardware Pack "H-2"

- L** SMALL BOLT (4)
- M** LARGE WASHER (4)

Hardware Pack "H-3"

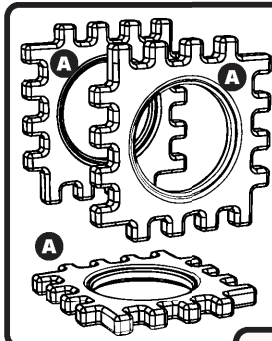
- N** SMALL SPACER BOLT (4)

Hardware Pack "H-4"

- O** MEDIUM BOLT (8)
- J** SMALL WASHER (8)
- P** SPLIT WASHER (8)
- Q** HEX NUT (8)
- R** 5/8" CAP NUT (8)

1

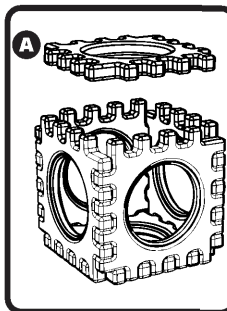
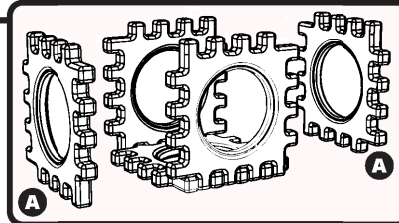
Assemble Square Panels



Attach front & back Square Panels (A,B or C) to bottom Square Panel(A).

Choose the correct Square Panel(A,B or C) for each cube that suits your preferred configuration of the unit.

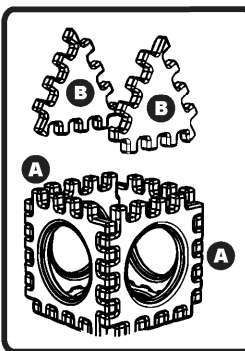
Attach 2 side Square Panels(A,B or C) to the bottom Square Panel(A) and front & back Square Panels (A,B or C) as shown.



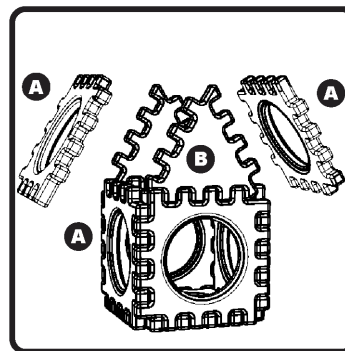
Attach top Square Panel(A) to the 4 side Square Panels (A) on a single cube only.

2

Attach Triangle Panels



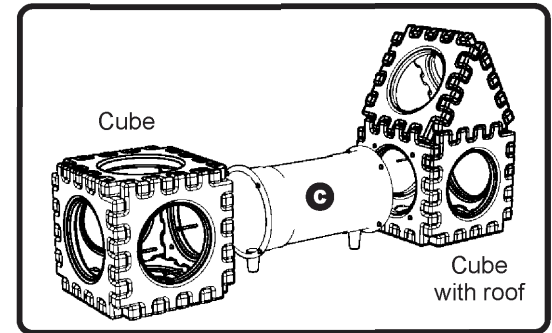
Attach Triangle Panels(D) to Front & Back Square Panels(A,B or C) as desired.



Attach 2 more Square Panels(A) to side Square Panels(A,B or C) and the 2 Triangle Panels (B) to a form roof.

3

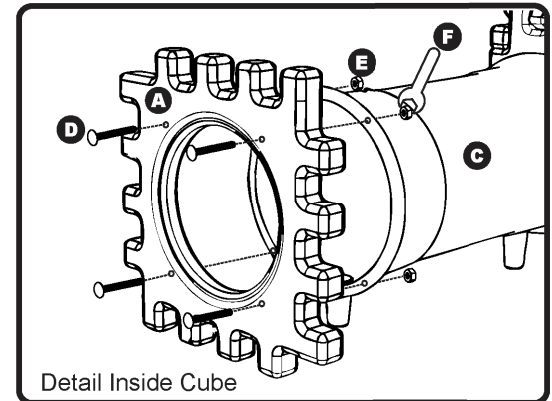
Attach Tunnel to Square Panels



Place one assembled Cube next to one Cube with Roof. Place Tunnel(E) between them to measure distance.

Fasten one end of Tunnel(E) to the Square Panel(B) on the Cube, using 4 Round Head Bolts(T1). Hold heads of Round Head Bolts(T1) and attach a Hex Nut(T2). Tighten Hex Nuts(T2) using Hex Wrench(T3) provided.

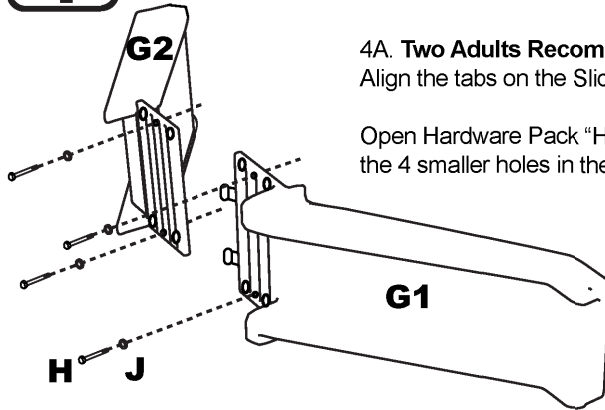
Repeat to attach the other end of Tunnel(E) to Cube or Cube with Roof.



For any unit, connect multiple Tunnels to any Cube or Cube with Roof.

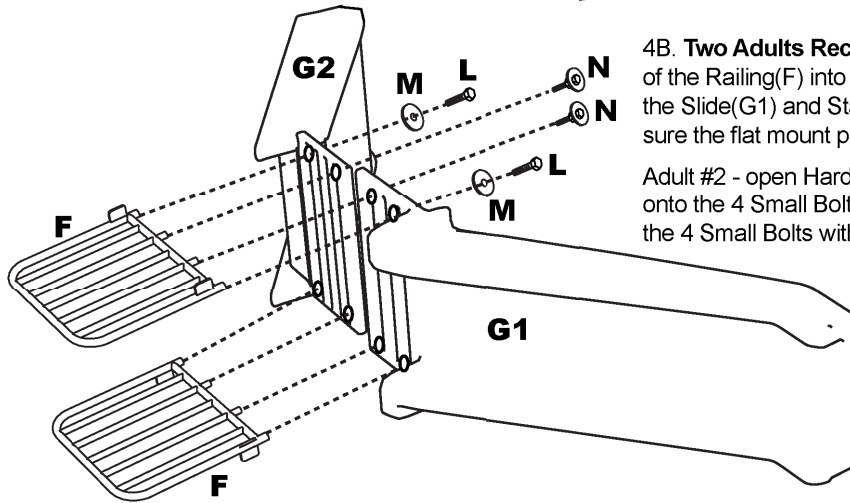
4

Attach the Railings, Stairs & Slide



4A. Two Adults Recommended: Lay the Slide(G1) and Stairs(G2) their sides as shown. Align the tabs on the Slide(G1) so they attach under the Stairs(G2) platform.

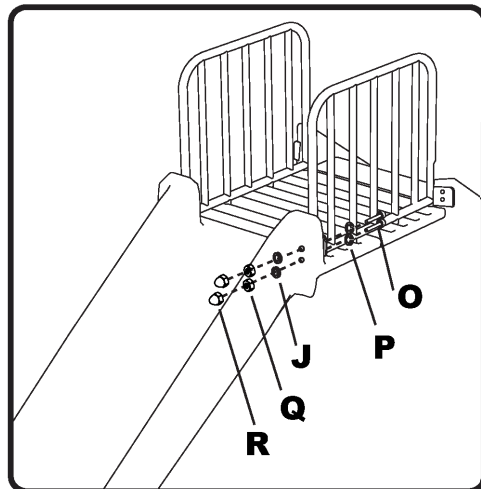
Open Hardware Pack "H-1", and insert 4 Small Washers(J) onto the 4 Long Bolts(H) into the 4 smaller holes in the platforms of the Slide(G1) and Stairs(G2), using 2 in each.



4B. Two Adults Recommended: Adult #1 insert the bottom of the Railing(F) into the 4 large holes located in the platform of the Slide(G1) and Stairs(G2) as shown and hold it in place. Make sure the flat mount plates are toward the outside of the unit.

Adult #2 - open Hardware Pack "H-2", & insert 4 Large Washers(M) onto the 4 Small Bolts(L). Secure Railings(F) to the unit by inserting the 4 Small Bolts with Washers(L,M) into the 4 outermost holes located underneath the platform as shown. Tighten using an open or socket wrench.

Open Hardware Pack "H-3", & insert the 4 Small Spacer Bolts(N) through the center holes underneath the platform(G1,G2), and tighten using an open or socket wrench.



4C. Open Hardware Pack "H-4", & insert 8 Split Washers(P) onto the 8 Medium Bolts(O). Insert 2 Bolts with Washers(O,P) through the holes in the flat Railing(F) mount plate and through the top of the Slide(G1) as shown.

Place a Small Washer(J) onto the end of the Medium Bolt(O), then attach a Hex Nut(Q) & tighten with an open or socket wrench.

Place a Cap Nut(R) onto the end of the Bolt(O) and tighten using an open or socket wrench.

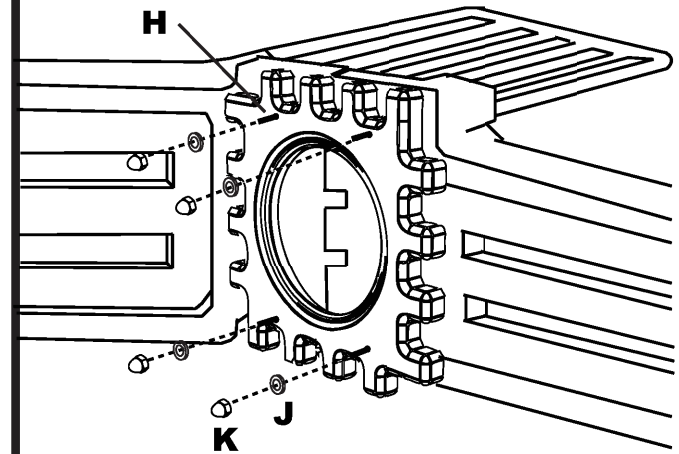
Repeat to attach the remaining 6 Medium Bolt assemblies(O,P,J,Q,R).

4D. Two Adults Recommended:

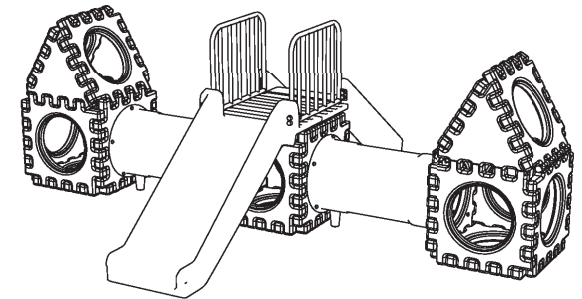
Position Square Panel-2(C) so the 4 attached Long Bolts(H) enter holes in the panel and are fully extended through the panel.

From Hardware Pack "H-1", insert 4 Small Washers(J) onto the 4 protruding Long Bolts(H).

Secure Long Bolts(H) using 4 Cap Nuts(R). Tighten using an open or socket wrench on the Bolt(H) head and an open or socket wrench underneath on the Cap Nut(R).



3E. Two Adults Recommended: Carefully turn the unit upright and place the assembled Slide/Stair unit on top of an assembled Cube (without the top panel) of your choice.



5

You are done!

Early Childhood[®]

RESOURCES

We appreciate your purchase of the
Cube Play Set.

Early Childhood Resources[®] has made every effort to supply a quality product, that with proper use and care, will bring you many years of trouble free use!

Care and Cleaning

Clean with a damp cloth or sponge using warm water and mild soap. Wipe dry.

Do not place near heat, moisture or vaporizer.

Check for loose, worn or broken parts periodically and replace as necessary.



"Early Childhood Resources[®] guarantees the quality of all of our products. You can trust the quality and safety of our furniture and materials, along with the peace of mind that our products are made to last. If for any reason, you are not satisfied with the quality and workmanship of our products, we will replace the item or refund the sale."

Record the manufacture date here.
Information is located on a label enclosed and on the shipping carton. Place label and this sheet in an accessible place.

Model Number: _____
Purchase Order Number: _____