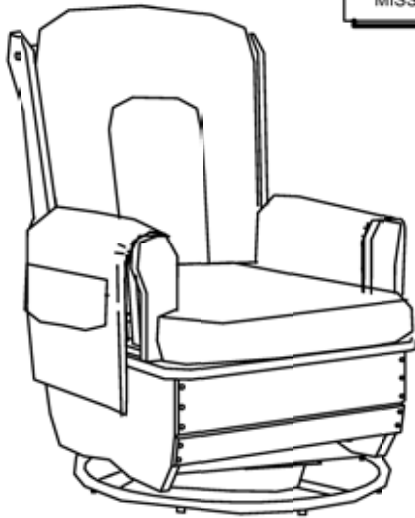


Assembly Instructions

Glider Rocker







Model # ELR-0821




BEFORE ASSEMBLING,
MAKE SURE THERE
ARE NO
MISSING PARTS.




TIP!
DO NOT FULLY
TIGHTEN SCREWS
UNTIL ALL SCREWS
HAVE BEEN LOOSELY
POSITIONED

Parts List

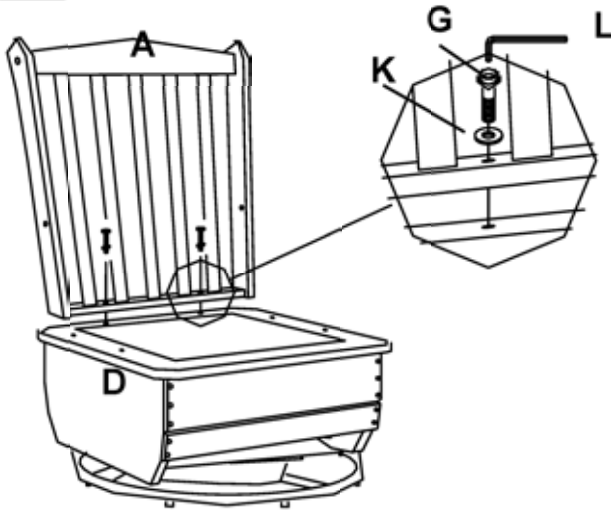
A	1 PC	B	2 PCS	C	2 PCS	D	1 PC	E	1 PC	F	1 PC
Back		Arms		Side Pouch		Bottom		Back Cushion		Seat Cushion	
											

G	8 PCS	K	8 PCS	L	1 PC
					
30mm Bolts		Washer		Allen Key	

WARNING  **CAUTION**

- Adult Assembly Required. Two Adults Recommended.
- This product contains small parts that may present a choking hazard for children aged 3 years or under.
- Do not stand, kneel, climb, lean or pull on unit for support. Intended for adult seating use only.
- Do not use rocking chair as a cradle, as serious injury may occur.
- Periodically check for loose or worn parts, and tighten or repair as necessary.

1 Attach The Back To Bottom



1A. Place a Washer(K) on a 30mm bolt(G) and insert into hole in the base of the Back(A).

1B. Position so that the Bolt(G) in the Back(A) enters the hole in the top rear of the Bottom(D) as shown. Tighten using Allen Key(L).

1C. Repeat steps 1A & 1B for the second 30mm bolt(G), securing the Back(A) to the Bottom(D).

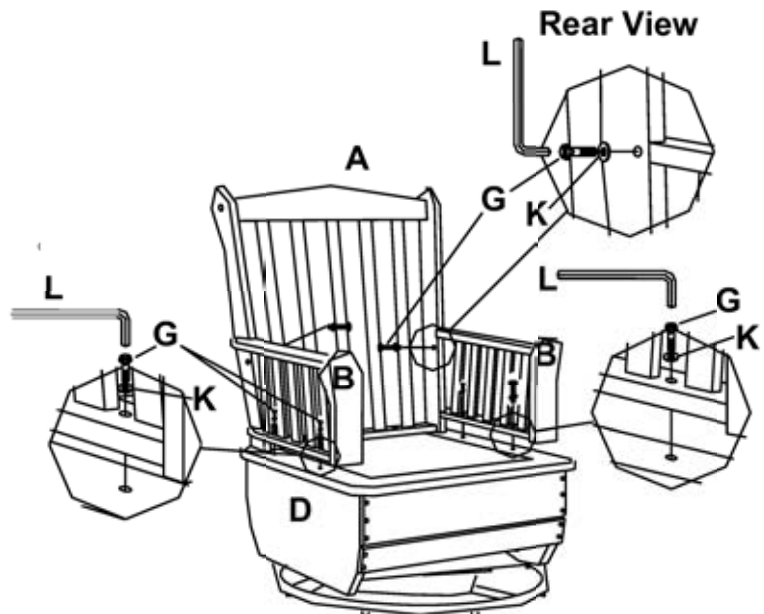
2 Attach Arms to Base and Back

2A. Place 2 Washers(K) on 2 30mm bolts(G) and insert into holes in the base of the Left Arm(B).

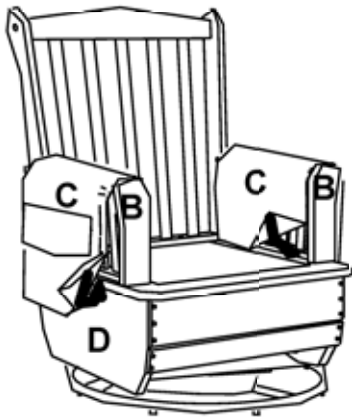
2B. Position so that the Bolts(G) in the Arm(B) enters the holes in the top left side of the Bottom(D) as shown. Tighten using Allen Key(L).

2C. Place a Washer(K) on a 30mm bolt(G). Position top of Left Arm so that the Bolt(G) enters the holes in the frame of the Back(A). Tighten using Allen Key(L).

2D. Repeat steps 2A through 2C for the Right Arm(B), securing to the Bottom(D) and Back(A).



3 Cover Arms with Side Pouches



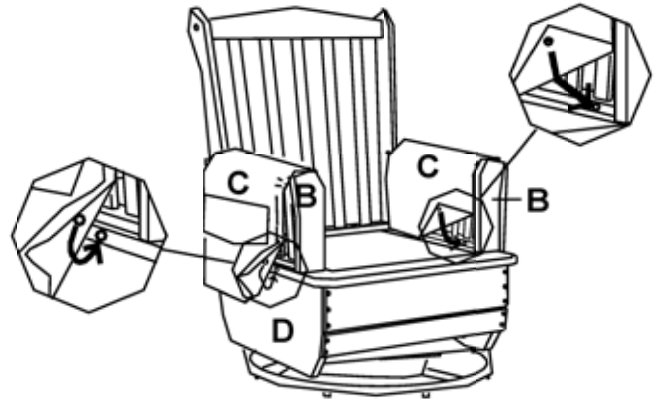
3. Drape Side Pocket (C) over Left Arm (B) so that the Pocket is on the outside of the rocker, and the solid side is facing the seat.

Repeat for Right Arm (B)

4 Snap Side Pouches Into Place

4A. Using the 4 snaps on the underside of the Left Side Pocket (C), secure pouch to the chair. Two snaps secure to the Bottom (D) on the outside, and 2 snap on the interior side onto the base of the Left Arm (B).

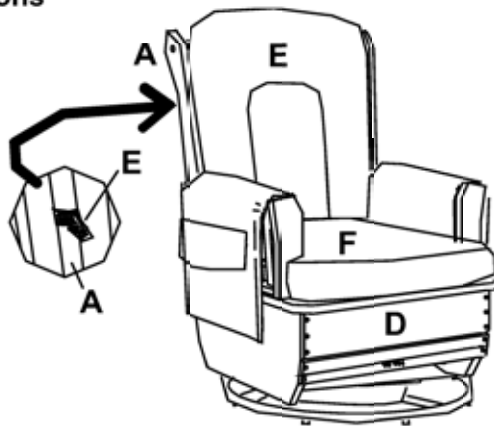
Repeat for Right Side Pocket (C) to the Right Arm (B).



5 Attach Seat Cushions

5A. Insert Seat Cushion onto Bottom (D).

5B. Place Back Cushion (E) onto the Back (A) of chair. Attach to outside rails by fastening loop-lock tabs.



Early Childhood
RESOURCES

www.ecr4kids.com

We appreciate your purchase of the Glider Rocker. Early Childhood Resources has made every effort to supply a quality product, that with proper use and care, will bring you many years of trouble free use!

Care and Cleaning

Clean wood with a damp cloth or sponge using warm water and mild soap. Wipe dry thoroughly. Spot clean cushions as needed. Do not place unit near heat, moisture or vaporizer as it may cause the unit to warp or peel. Check for loose or worn parts periodically and tighten or replace as necessary.

Record the Purchase Order Number here. Information is located on a label enclosed, and on the shipping carton. Place label and this sheet in an accessible place.

Model Number: **ELR-0821**

Purchase Order Number: _____



"Early Childhood Resources® guarantees the quality of all of our products. You can trust the quality and safety of our furniture and materials, along with the peace of mind that our products are made to last. If for any reason, you are not satisfied with the quality and workmanship of our products, we will replace the item or refund the sale."