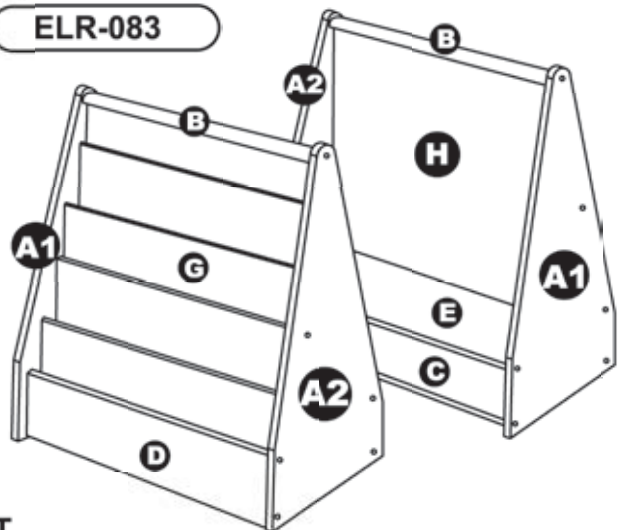




**Video Instruction Guides**

Go to <http://ecr.showuhow.com> to view step-by-step instructional videos for assembling & installing your product. Enter the following product number on the ShowUHow home page:

**ELR-083**



**PARTS LIST**

- A1** Left Side Panel
- A2** Right Side Panel
- B** Top Rail
- C** Bottom Shelf
- D** Front Panel
- E** Upper Rear Shelf
- F1** Hex Head Screw(12)
- F2** Hex Key Tool
- G** Vertical Shelf Unit
- H** Whiteboard Panel



**NOTE:**

A Phillips Head Screwdriver will be needed for assembly (not included)



**WARNING:**

- **Adult Assembly Required.** Two Adults Recommended.
- Contains small parts, sharp points and edges.
- Do not stand, sit, kneel, climb, lean or pull on unit for support.
- Never leave children unattended.
- Do not place unit near high heat or moisture.
- Adult Supervision Recommended.

If you experience any difficulties with this product, please contact us toll free at (888) 227-9028 (Monday-Friday, 9:00am to 5:00pm Eastern Time).

Please do not return to place of purchase. Early Childhood Resources® will replace defective parts or product.

**TIPS!**

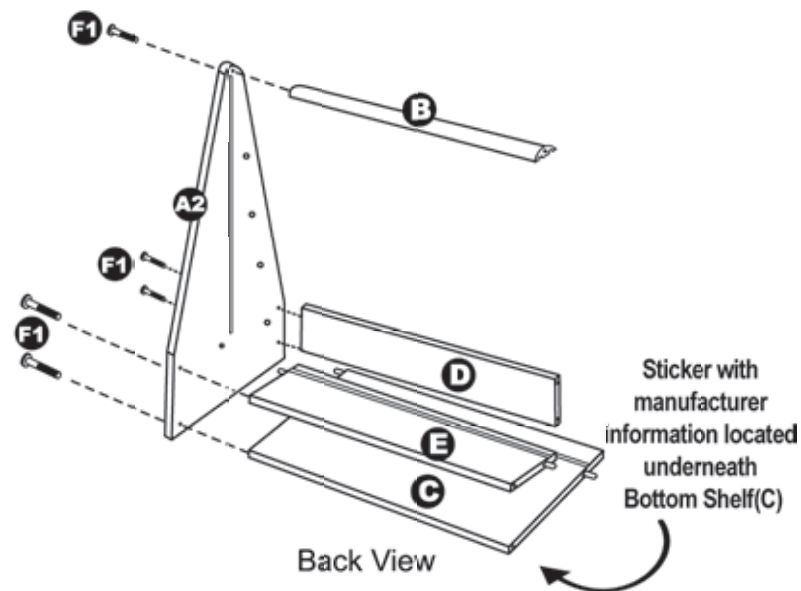
DO NOT FULLY TIGHTEN SCREWS UNTIL ALL SCREWS HAVE BEEN LOOSELY POSITIONED.

\* BEFORE ASSEMBLING, MAKE SURE THERE ARE NO MISSING PARTS \*



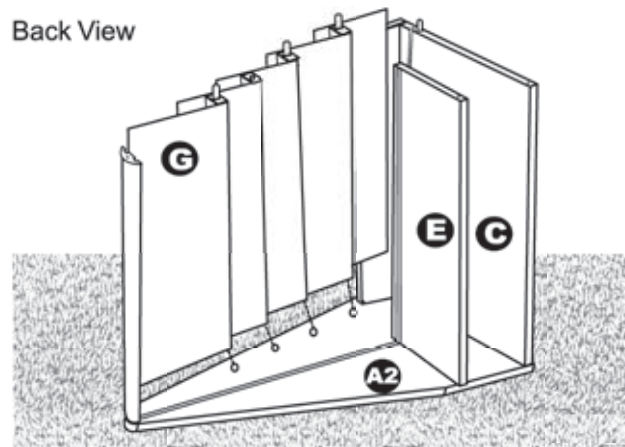
X5  
F1

Fasten Top Rail(B), Bottom Shelf(C), Front Panel(D) and Upper Rear Shelf(E) to Right Side Panel(A2) using 5 Hex Head Screws(F1), as shown. Tighten with Hex Key Tool(F2).



On a carpet or protected surface, carefully place the unit with the Right Side Panel(A2) facing the floor. Position the Vertical Shelf Unit(G) as shown, so that the pre-installed wooden dowels in the ends enter holes inside Right Side Panel(A2).

Back View

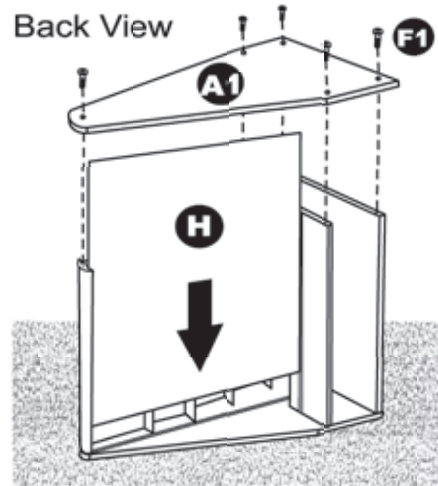


**3**

Slide Whiteboard Panel(H) into the grooves in the Top Rail(B) and the Upper Rear Shelf() until fully inserted into the slot in Right Side Panel(A2). Position Left Side Panel(A1) so the Whiteboard Panel(H) and the wooden dowels in the ends of Vertical Shelf Unit(G) fit into the groove & holes inside the Left Side(A1). Secure the Left Side(A1) to the assembled unit using 5 Hex Head Screws(F1) as shown and tighten with the Hex Key Tool(F2).



X5  
F1

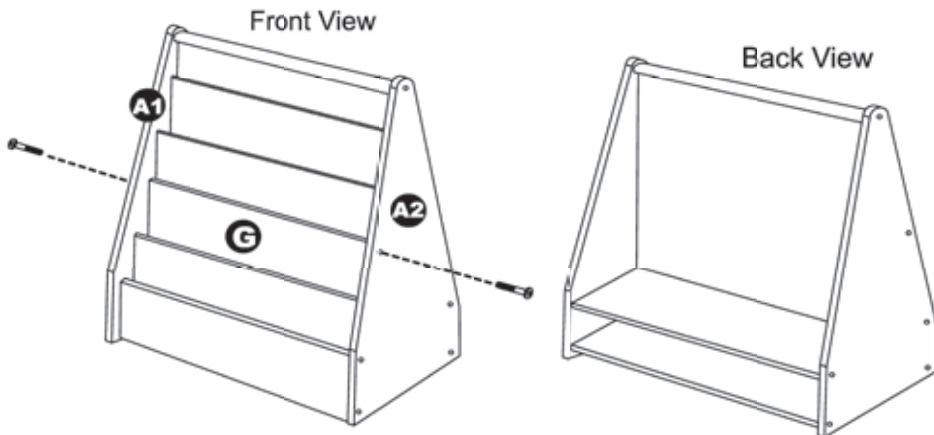
**4**

Carefully stand the unit upright. Secure Side Panels(A1,A2) to the assembled unit using 2 Hex Head Screws(F1). Tighten with the Hex Key Tool(F2).



X2  
F1

Make sure all Screws(F1) are fully tightened before using. Periodically, check screws and tighten as necessary.

**CAUTION:**

- Do not allow children to climb on shelves.
- Do not use as a ladder, seat or cart.

# Early Childhood<sup>®</sup>

## RESOURCES

We appreciate your purchase of the Pic-A-Book Stand. Early Childhood Resources<sup>®</sup> has made every effort to supply a quality product, that with proper use and care, will bring you many years of trouble free use!

**Care and Cleaning**

Clean wood with a damp cloth or sponge using warm water and mild soap. Wipe dry. Do not place near heat, moisture or vaporizer which may cause wood to warp and peel. Check for loose or worn parts periodically and tighten or replace as necessary.



"Early Childhood Resources<sup>®</sup> guarantees the quality of all of our products. You can trust the quality and safety of our furniture and materials, along with the peace of mind that our products are made to last. If for any reason, you are not satisfied with the quality and workmanship of our products, we will replace the item or refund the sale."

Record the Model and ECR Purchase Order Number from your shipping carton on the lines below. This information may also be found on a label enclosed. Place this sheet in an accessible place for future reference.

Model Number: ELR- \_\_\_\_\_

Purchase Order Number: ECR20 \_\_\_\_\_ - \_\_\_\_\_